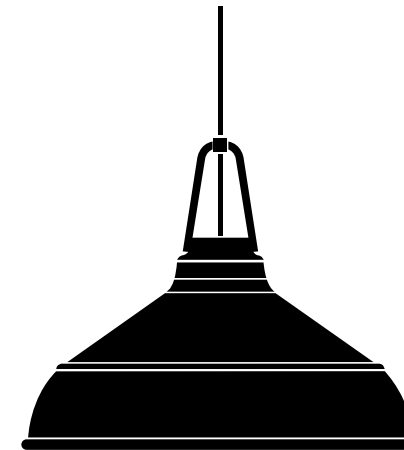




### Technical details

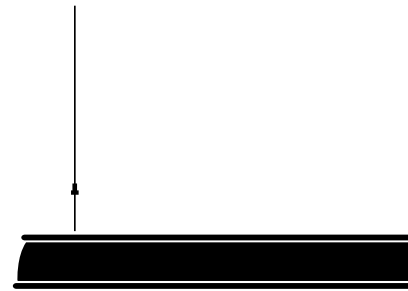


- Ø 400** Equipped with latest generation LED module and driver from Tridonic.
- Ø 600** Equipped with latest generation LED modules from Cree.
- Design:** Joel Karlsson, Krook & Tjäder Design
- Material:** Supporting base in cast aluminium. Shade in opal acrylic and aluminium.
- Installation:** Suspended in 3 m textile cable with support wire. Worker in black version comes with black textile cable. Other colors are supplied with white textile cable.
- Connection:** Terminal block in canopy, 3x2,5mm<sup>2</sup>, dim: 5x2,5mm<sup>2</sup>.
- Standard colour:** **White** RAL9016, **Black** RAL9005, **Dark dusty blue** NCS S6020-B, **Dusty pink** NCS S1515-R, **Medium dusty green** NCS S6010-G70Y & **Anthracite-green** NCS 5502-Y.
- Glare shield:** Opal acrylic glass or microprismatic acrylic combined with optic film from BrightView.
- Light source:** Incl. LED light source, colour temperature 3000K or 4000K.  
 Worker 400: **Colour rendering:** CRI 80.  
**Chromaticity tolerance:** Max 3 SDCM.  
**Life span:** L80B50 50 000h.
- Worker 600: **Colour rendering:** CRI 80 & 90.  
**Chromaticity tolerance:** Max 3 SDCM.  
**Life span:** L90B10 50 000h.
- Precise lumen flows are presented in the configurator - [www.atelje-lyktan.com](http://www.atelje-lyktan.com)  
 Higher lumen flows of Worker 600 can be obtained on request.  
 Example: opal diffuser and the LED 830 can be obtained with lumen flows up to 4600 lm.
- Driver:** Equipped with On/Off-driver or DSI/DALI driver with light regulation 1-100%. Programmed light level saved even after power cut. Possibility of SwitchDim and CorridorFunction. 1 driver/DALI-address per luminaire. 100 000h.

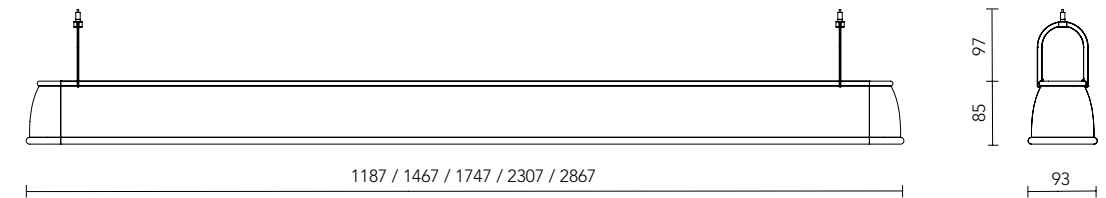
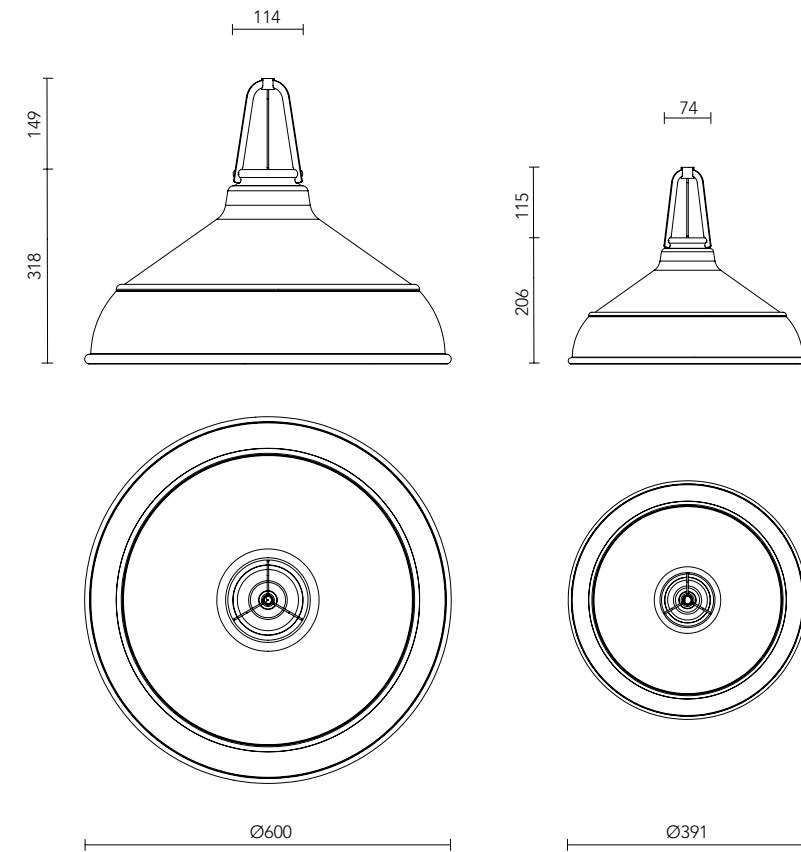
### Round

Description	ØxH (mm)	Luminaire power (microprism)	Luminaire power (opal acrylic glass)	Luminaire flux	CRI	Colour temp.
Round 400	400x321	15W	12W	1000 lm	80	3000K/4000K
Round 400	400x321	18W	15W	1500 lm	80	3000K/4000K
Description	ØxH (mm)	Luminaire power (microprism)	Luminaire power (opal acrylic glass)	Luminaire flux	CRI	Colour temp.
Round 600	600x467	24W	20W	2000 lm	80	3000K/4000K
Round 600	600x467	42W	36W	3500 lm	80	3000K/4000K

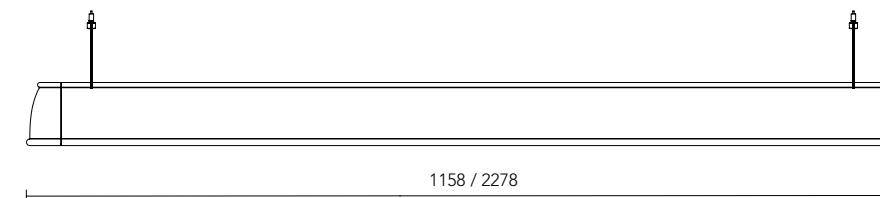
# Worker linear



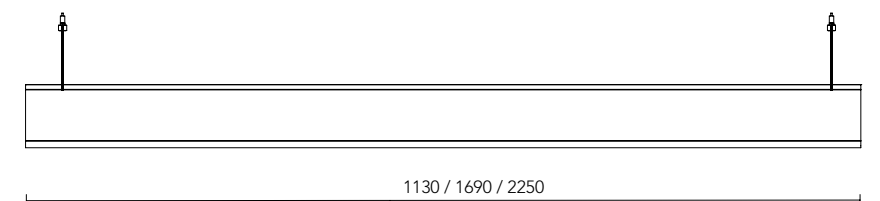
- Design:** Joel Karlsson, Krook & Tjäder Design
- Material:** Frame in extruded aluminium. End caps in cast aluminium.
- Installation:** Supported from wire with 1.5 m wire with friction lock. Suspension system adjustable longitudinally and for height. End cap is mounted on the one side of the starter luminaire for system version. The corresponding end cap is supplied with the starter luminaire.
- Connection:** **Single:** Comes with 3 m halogen free white connection cable in textile with plug 3G0,75 mm<sup>2</sup>, or 5G0,75 mm<sup>2</sup> with free wire end for dim. Optional quick connectors can be obtained on request. **System:** Comes with 3 m halogen free white connection cable (non-textile) with plug 3G1,5 mm<sup>2</sup>, or 5G1,5 mm<sup>2</sup> with free wire end for dim. Optional quick connectors can be obtained on request.
- Standard colour:** **White** RAL9016, **Black** RAL9005, **Dark dusty blue** NCS S6020-B, **Dusty pink** NCS S1515-R, **Medium dusty green** NCS S6010-G70Y & **Anthracite-green** NCS 5502-Y.
- Glare shield:** Microprismatic acrylic glass combined with optic film from BrightView.
- Light source:** Incl. LED light source, colour temperature 3000K or 4000K. **Colour rendering:** CRI 80 & 90. **Chromaticity tolerance:** max 3 SDCM. **Life span:** L90B10 50 000h.
- Driver:** Equipped with LED driver Touch and DALI from Philips that regulates light with amplitude modulation, which contributes to a flicker-free light. Light regulation 1-100%. The luminaire is equipped with 2 drivers/2 DALI addresses.
- Control:** Single luminaires can also be equipped with:  
 - On/Off and light regulation of downlight via pull cord. Set value is maintained in event of power cut. Length of luminaire is added with 30 mm.  
 - On/Off and light regulation of downlight and up light via twin pull cord. Set value is maintained in event of power cut. Length of luminaire is added with 60 mm.  
 - Actilume/pull dim  
 - Master luminaire actilume



Worker L single



Worker L start & end



## Linear

Description	LxWxH (mm)	Luminaire power	Luminaire flux	CRI
Up/down single 1187	1187x93x85	45W LED	4550 lm	80
Up/down single 1467	1467x93x85	57W LED	5950 lm	80
Up/down single 1747	1747x93x85	74W LED	7400 lm	80
Up/down single 2307	2307x93x85	95W LED	10000 lm	80
Up/down single 2867	2867x93x85	120W LED	12400 lm	80
Up/down start 1158	1158x93x85	45W LED	4550 lm	80
Up/down start 2278	2278x93x85	95W LED	10000 lm	80
Up/down end 1158	1158x93x85	45W LED	4550 lm	80
Up/down end 2278	2278x93x85	95W LED	10000 lm	80
Up/down system 1130	1130x93x85	45W LED	4550 lm	80
Up/down system 1690	1690x93x85	74W LED	7400 lm	80
Up/down system 2250	2250x93x85	95W LED	10000 lm	80