

MIURA table design Konstantin Grcic



MIURA table extended base design Konstantin Grcic




Sistema di tavolo pieghevole, struttura in alluminio verniciato a polvere o alluminio lucido, piani in acciaio, MDF o HPL Full color nei colori nero e bianco, (piani in metallo anche in rosso). Piano tavolo ribaltabile. Uso interno ed esterno.

Table system, structure in powder coated aluminium or polished aluminium, top in powder coated metal, MDF or HPL Full color in black and white, (metal tops also in red). With folding table top. Indoor and outdoor use.

Tisch System, Gestell in pulverbeschichtetem Aluminium oder in poliertem Aluminium, Platte in Metall, MDF oder Vollaminat HPL in den Farben schwarz und weiß, (Metallplatten auch in verkehrsrot). Tischplatte klappbar. Innen- und Außenbereich.

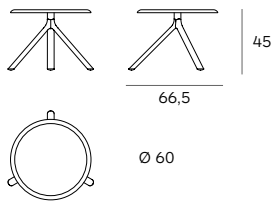
Finiture tavolo / Table Finishings / Tischausführungen  
 Piano in metallo / metal table top / Metalltischplatte (Mod. 9553)  
 MDF verniciato / powder coated / pulverbeschichtet  
 HPL - Full color

	nero black schwarz		bianco white weiss
---	--------------------------	---	--------------------------

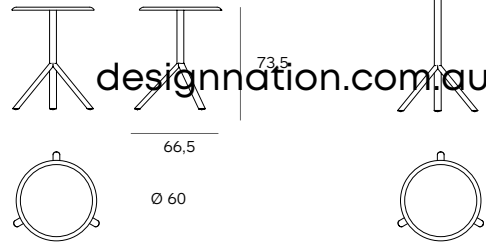
	rosso traffico traffic red verkehrsrot	solo per / only for / nur für Mod. 9553
---	--	--

## MIURA table design Konstantin Grcic

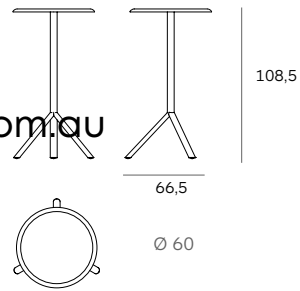
Mod. 9553-51



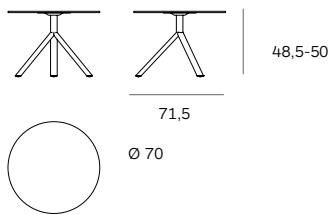
Mod. 9553-01



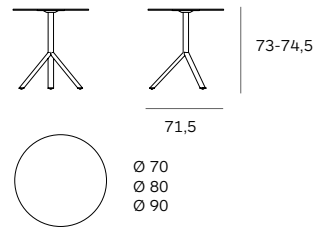
Mod. 9553-71



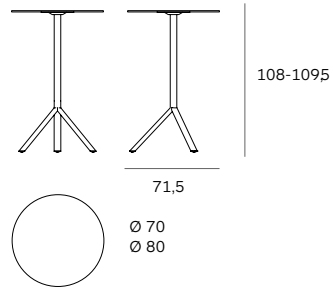
Mod. 9590-51 (Ø 70)



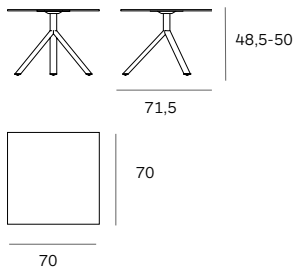
Mod. 9590-01 (Ø 70)  
Mod. 9591-01 (Ø 80)  
Mod. 9592-01 (Ø 90)



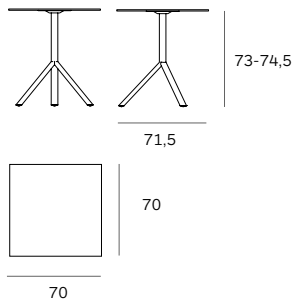
Mod. 9590-71 (Ø 70)  
Mod. 9591-71 (Ø 80)



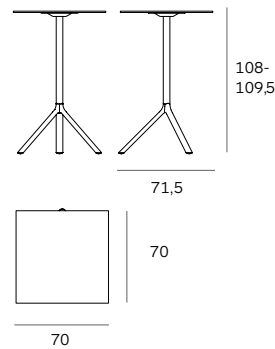
Mod. 9580-51



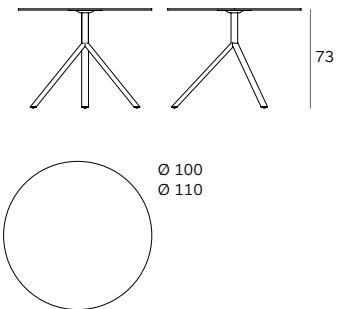
Mod. 9580-01



Mod. 9580-71

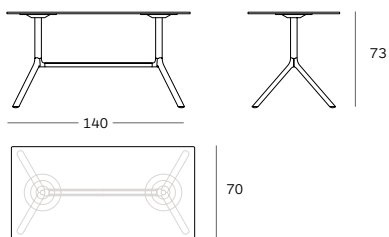


Mod. 9555-71 (Ø 100)  
Mod. 9556-71 (Ø 110)

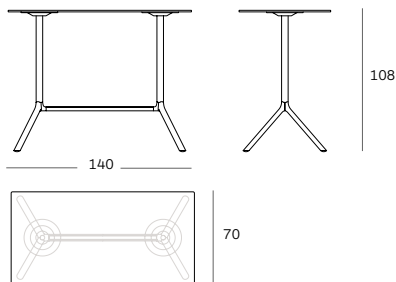


## MIURA table extended base design Konstantin Grcic

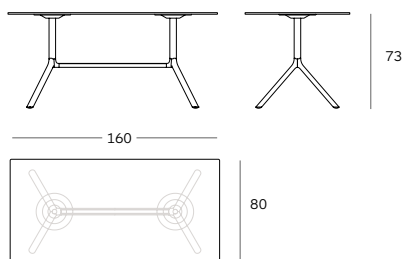
Mod. 9586-01



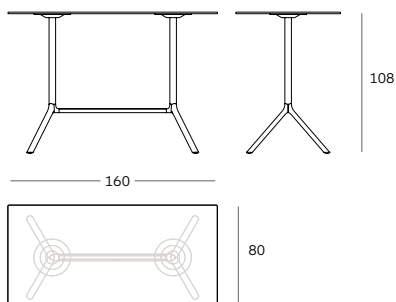
Mod. 9586-71

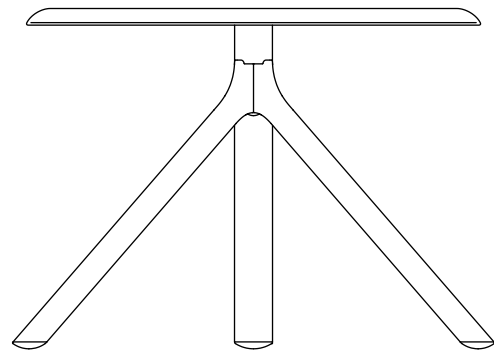


Mod. 9587-01



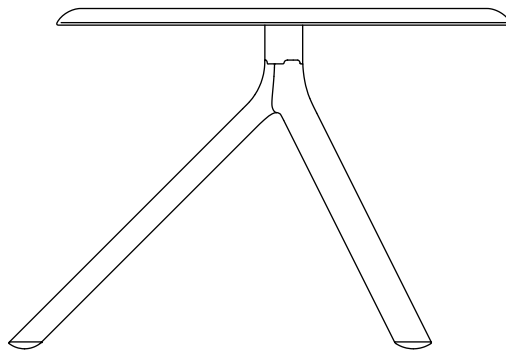
Mod. 9587-71





FRONT VIEW

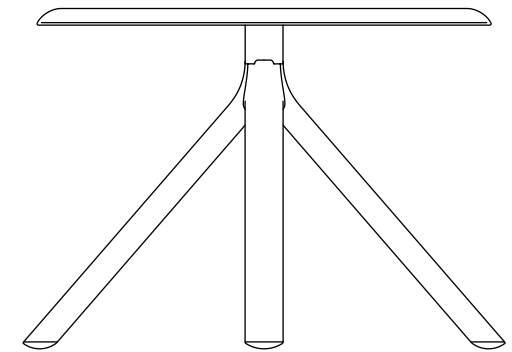
63



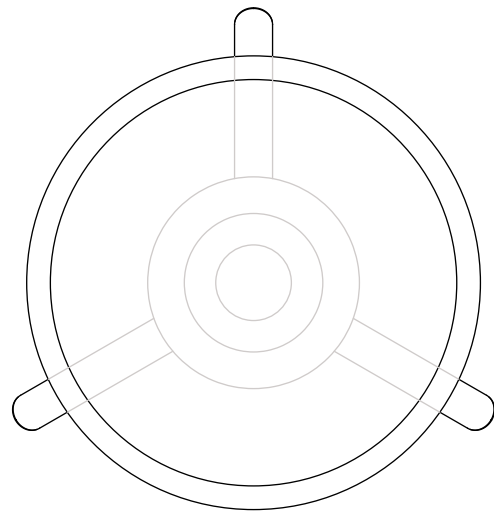
SIDE VIEW

55

45



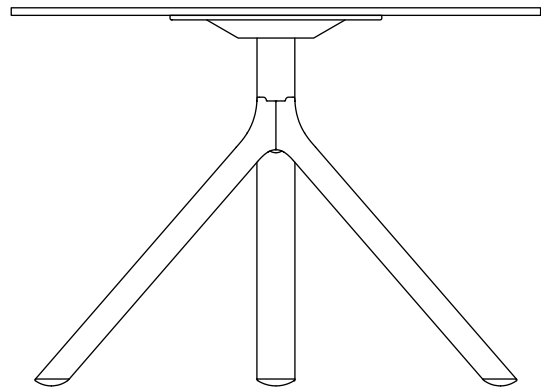
BACK VIEW



TOP VIEW

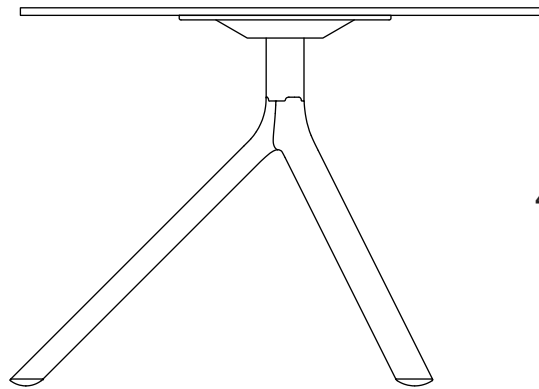
Ø 60

 design Nation



FRONT VIEW

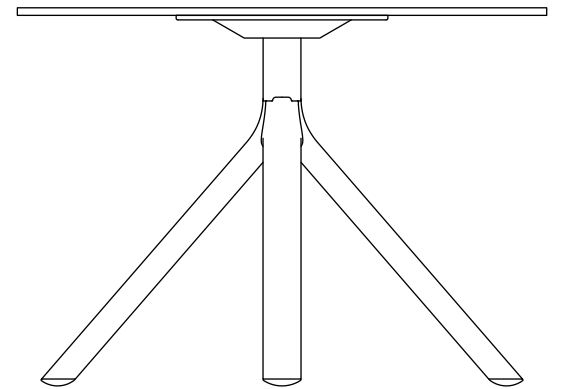
63



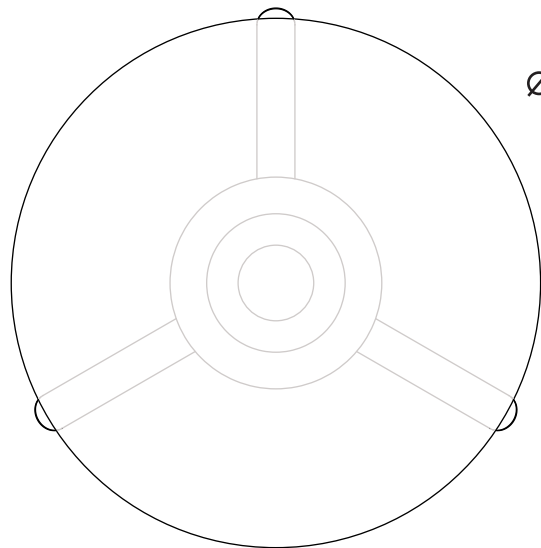
SIDE VIEW

55

44,5-46

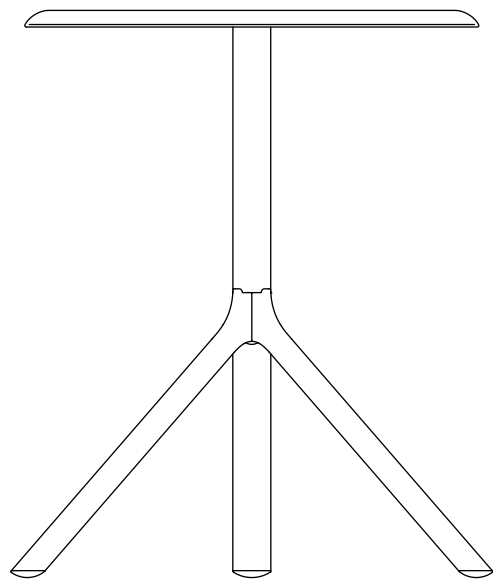


BACK VIEW



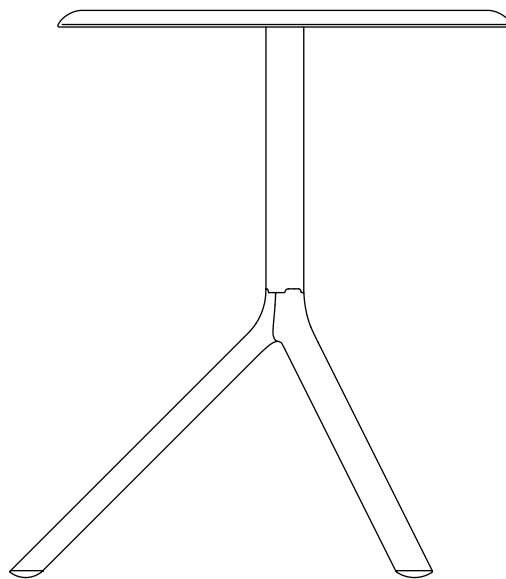
TOP VIEW

Ø 70



FRONT VIEW

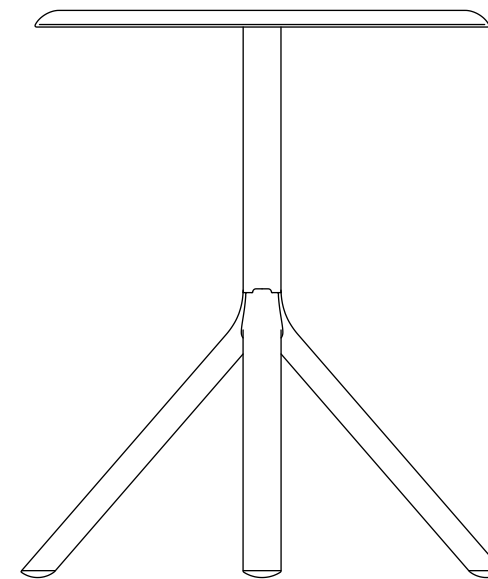
63



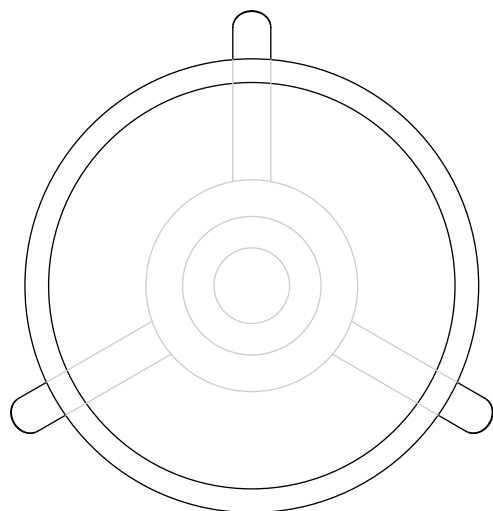
SIDE VIEW

55

73,5



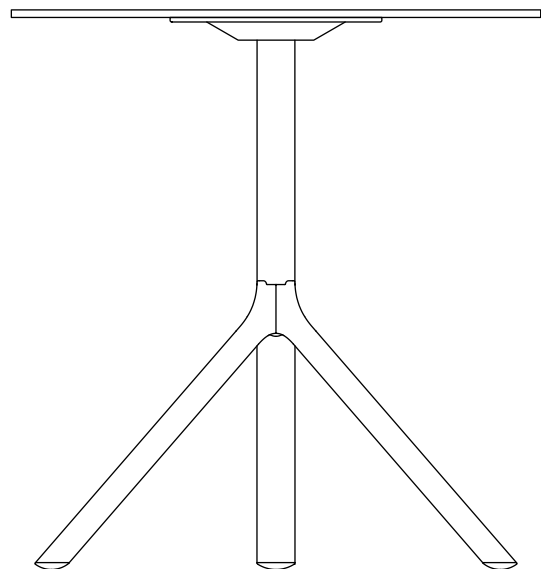
BACK VIEW



TOP VIEW

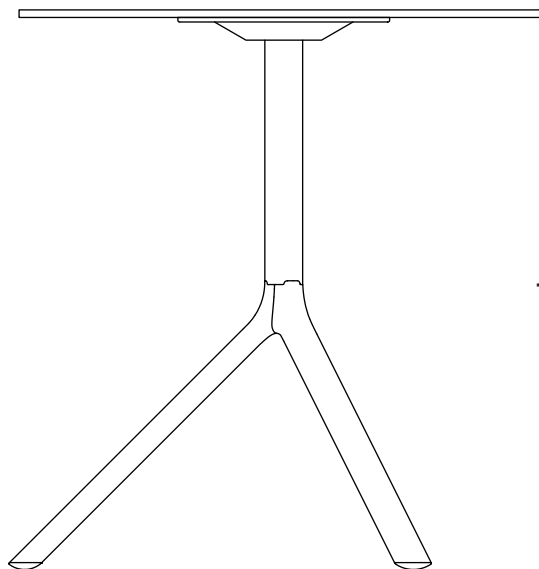
Ø 60

**+** design Nation



FRONT VIEW

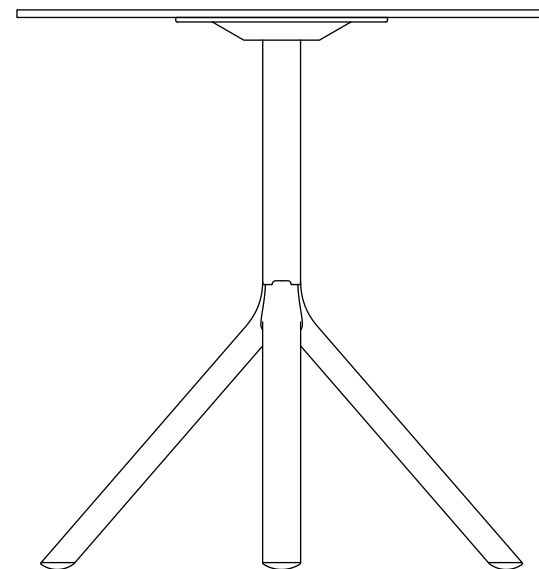
63



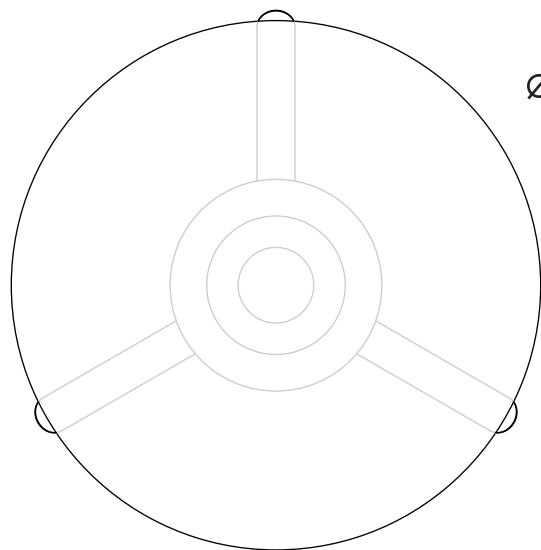
SIDE VIEW

55

73-74,5



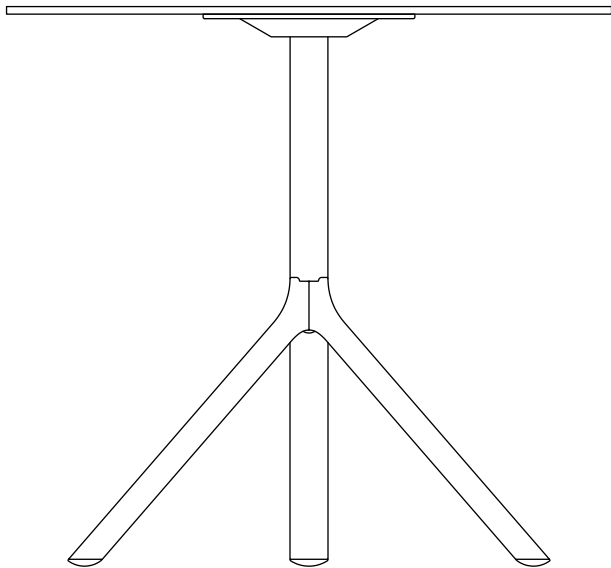
BACK VIEW



Ø 70

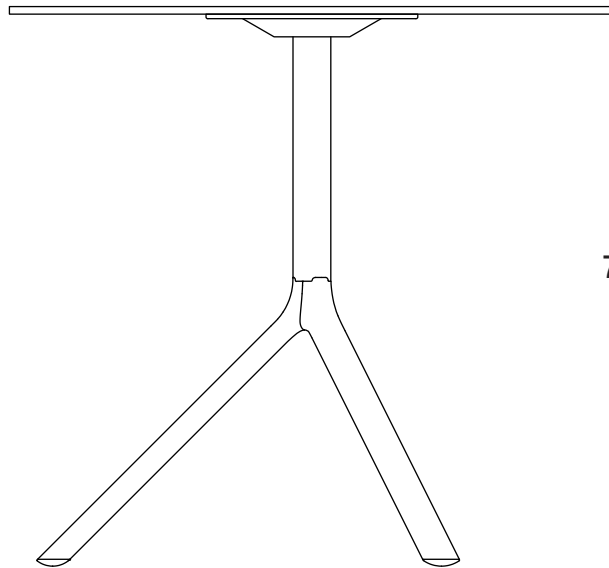
TOP VIEW

**+** design Nation



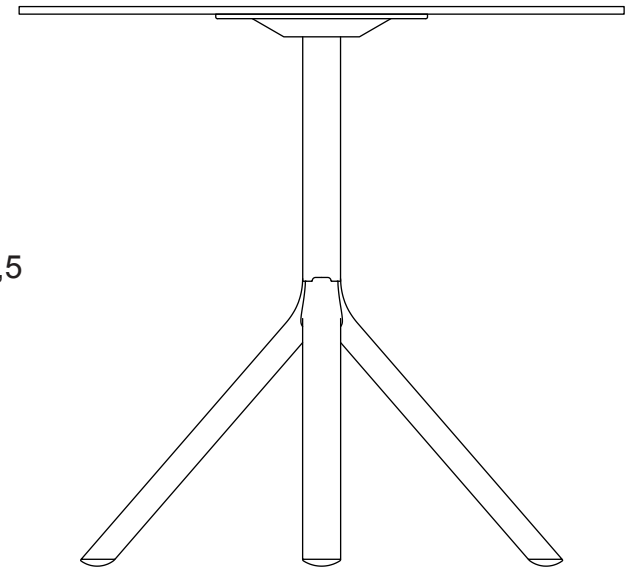
FRONT VIEW

63



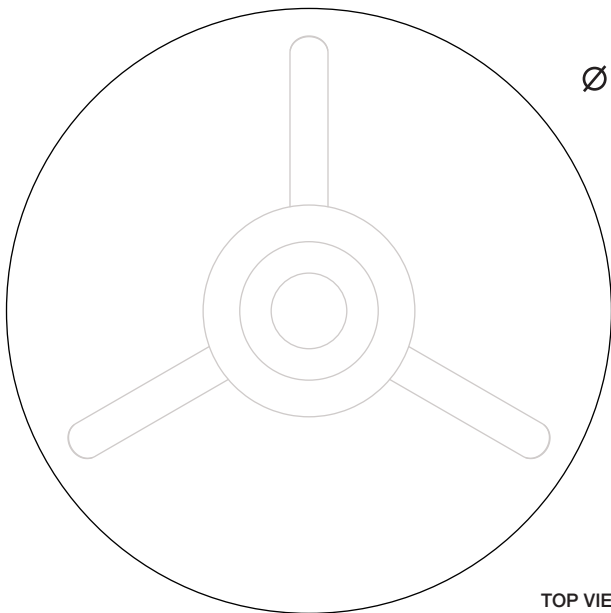
SIDE VIEW

55



BACK VIEW

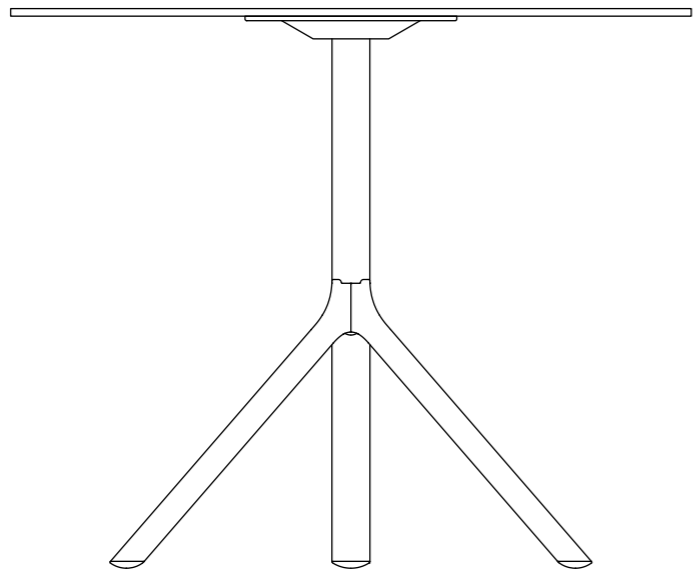
73-74,5



Ø 80

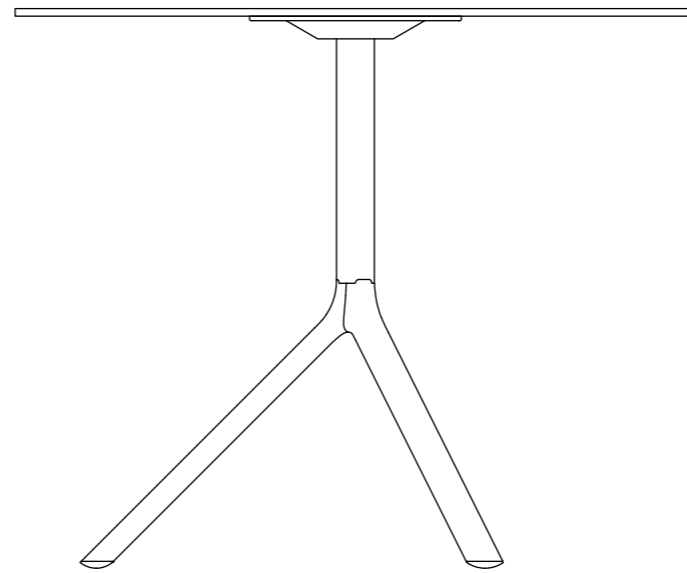
TOP VIEW

 design Nation



FRONT VIEW

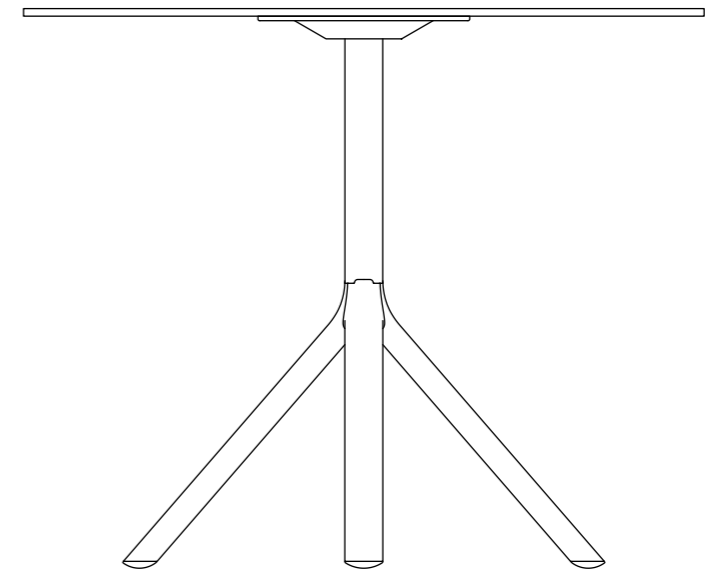
63



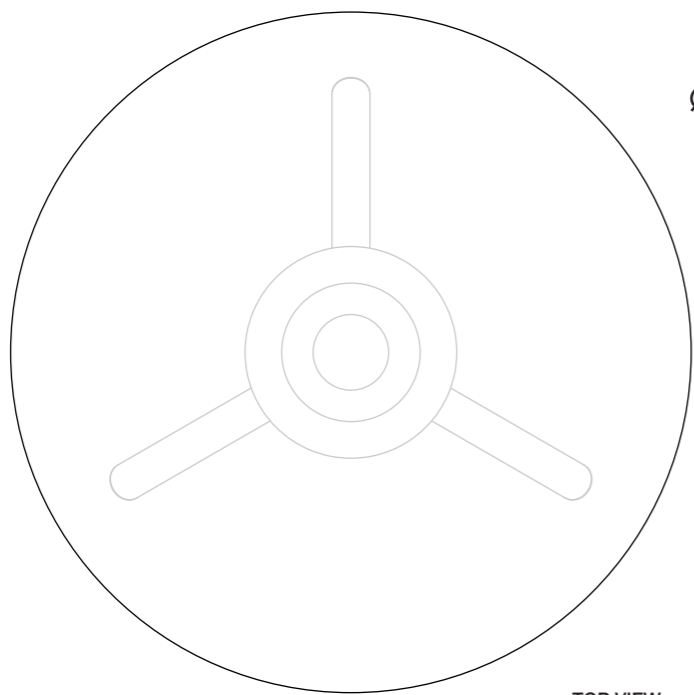
SIDE VIEW

55

73-74,5



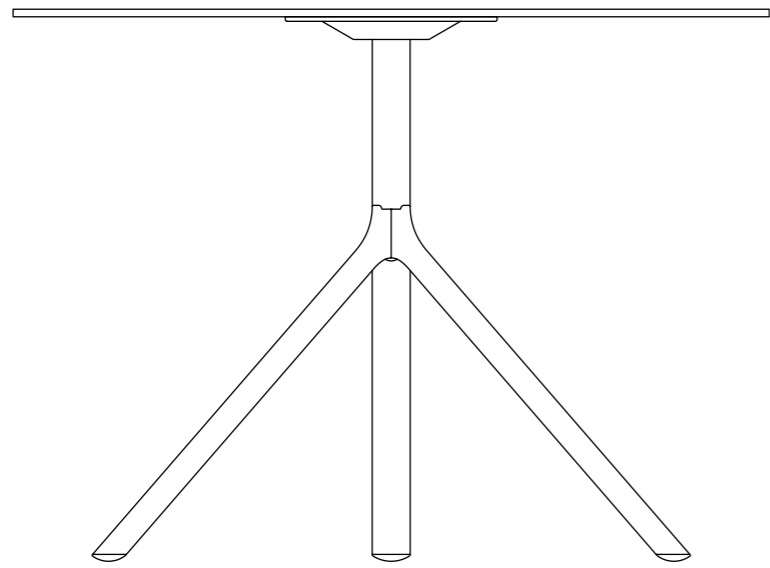
BACK VIEW



Ø 90

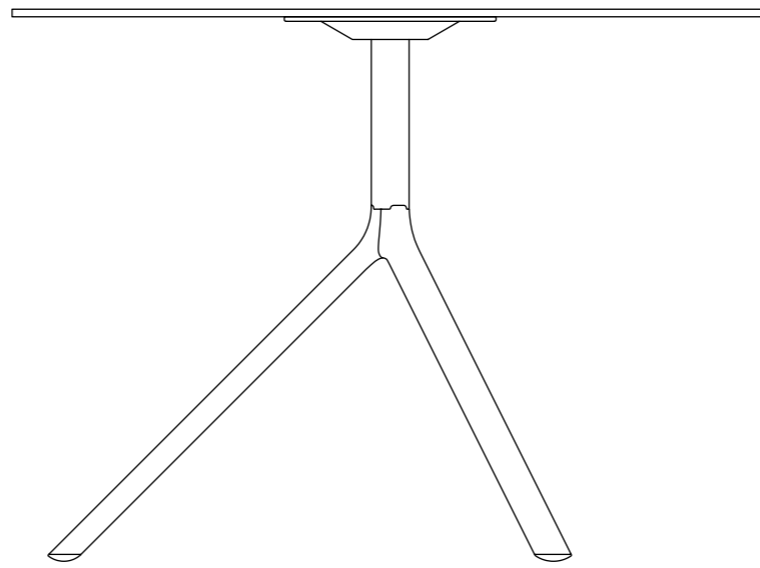
TOP VIEW





FRONT VIEW

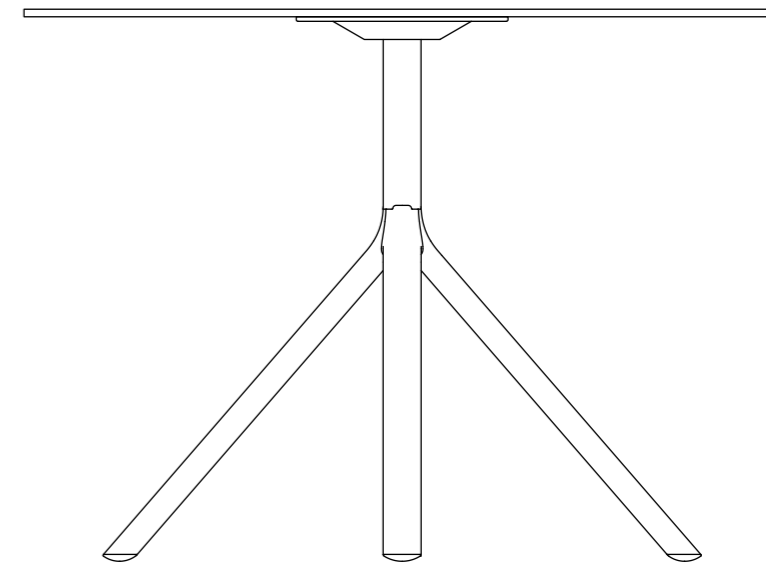
78



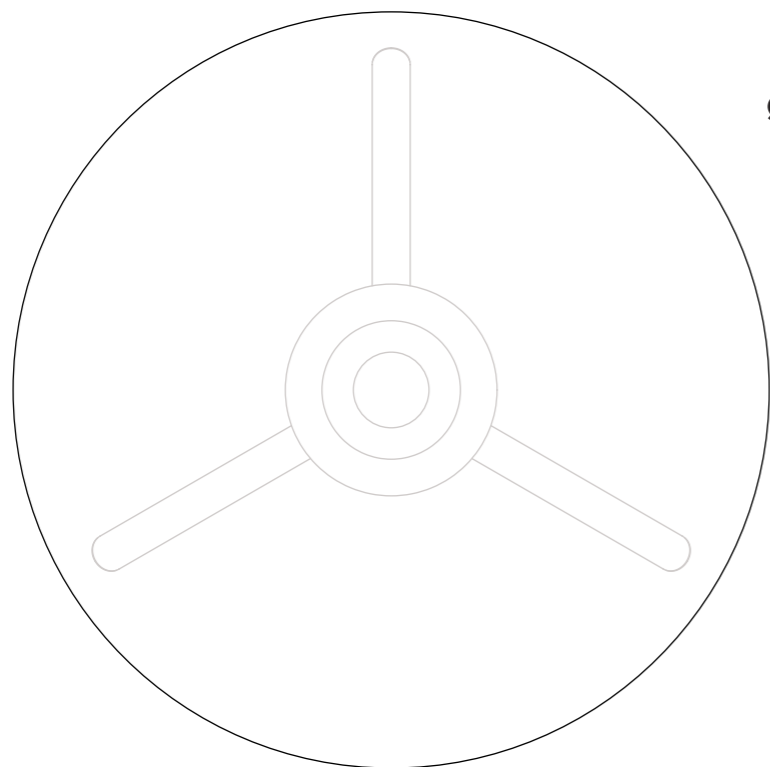
SIDE VIEW

66

73

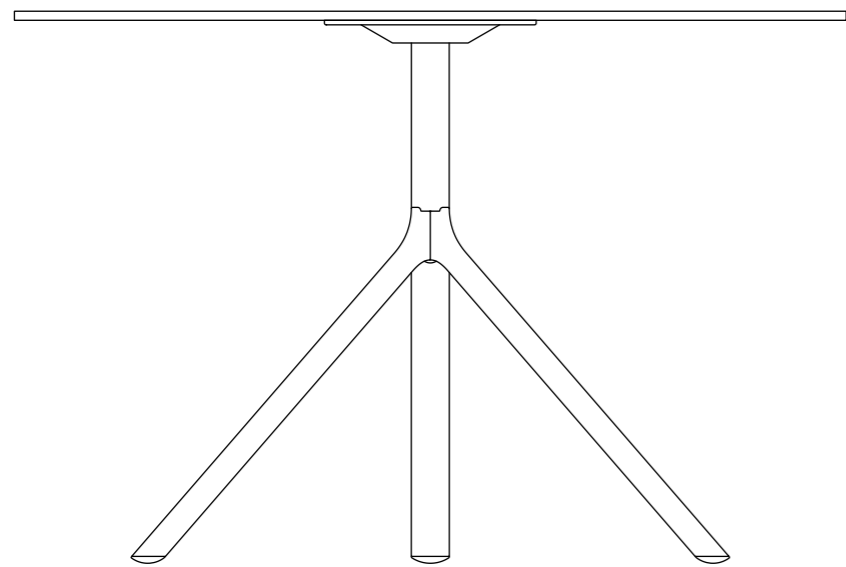


BACK VIEW



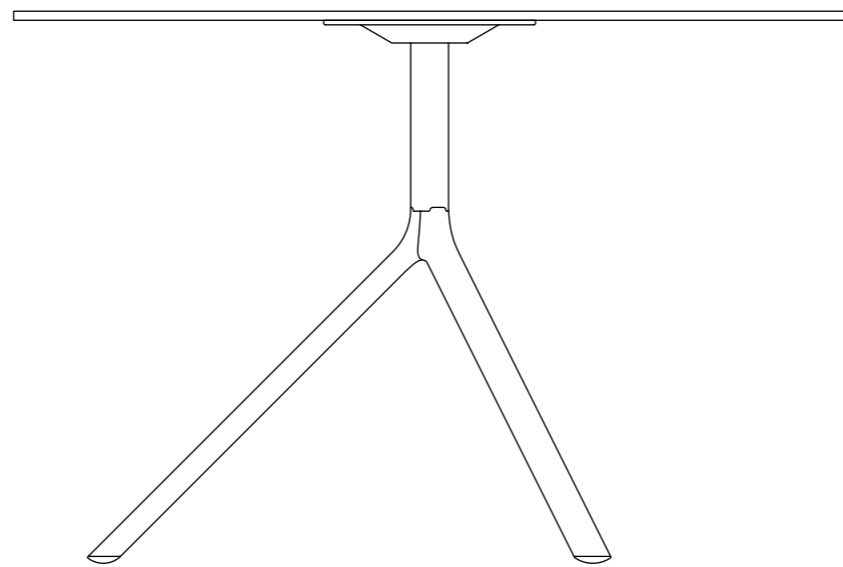
Ø 100

TOP VIEW



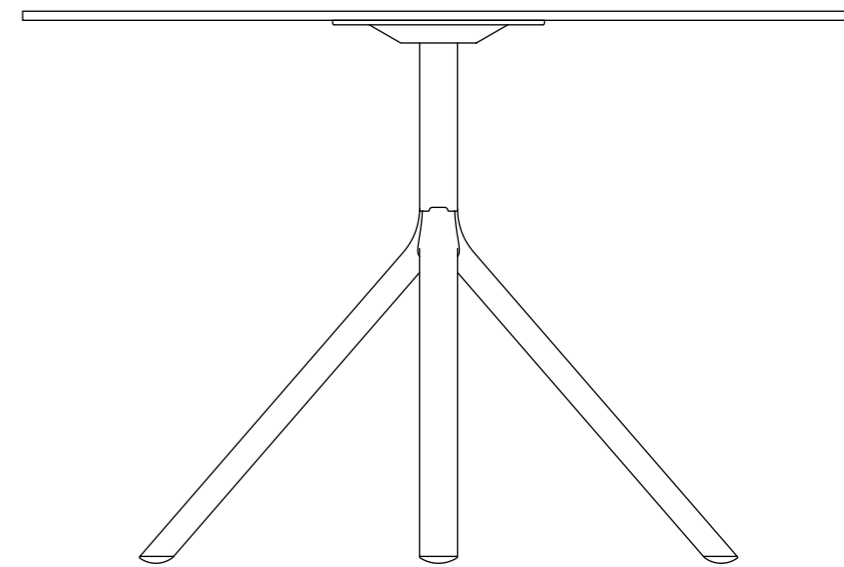
FRONT VIEW

78



SIDE VIEW

66



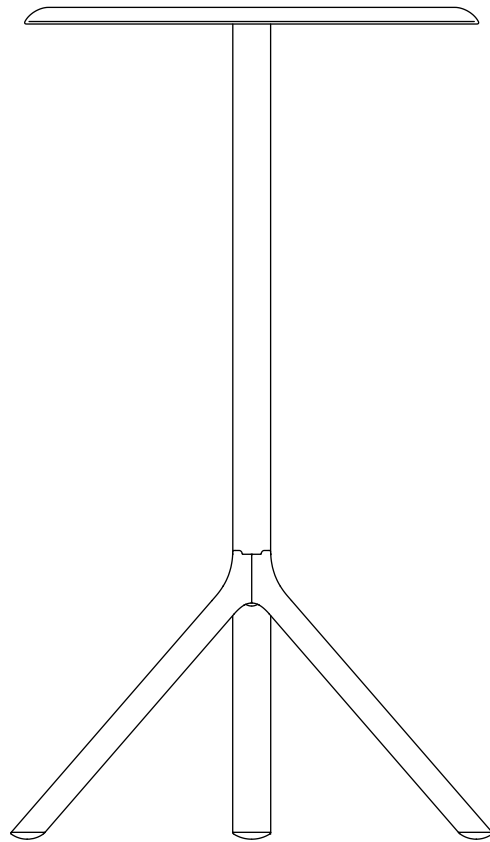
BACK VIEW

73



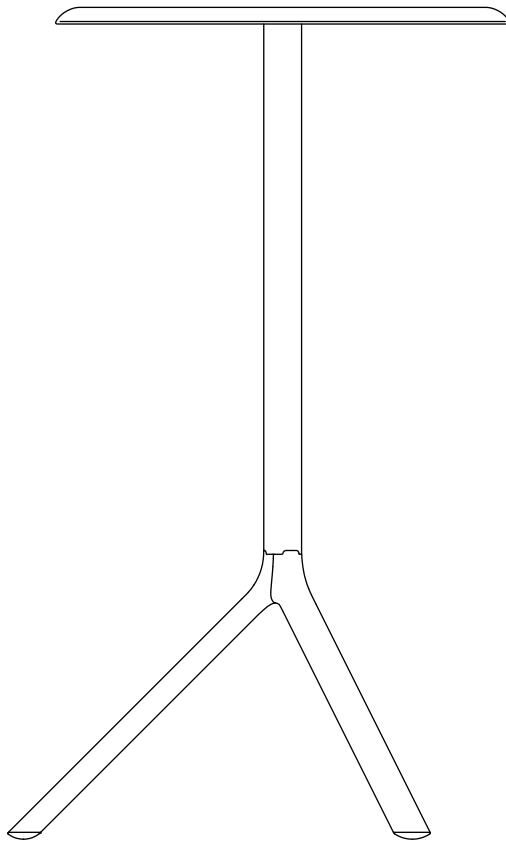
Ø 110

TOP VIEW



FRONT VIEW

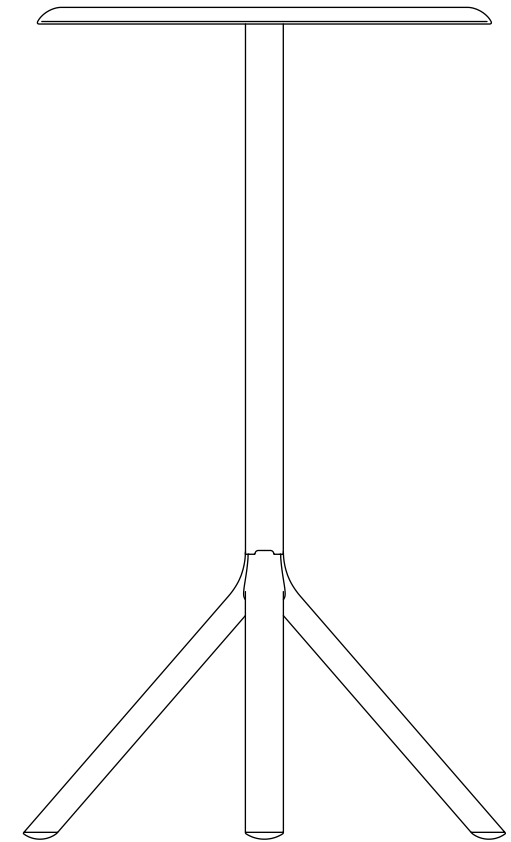
63



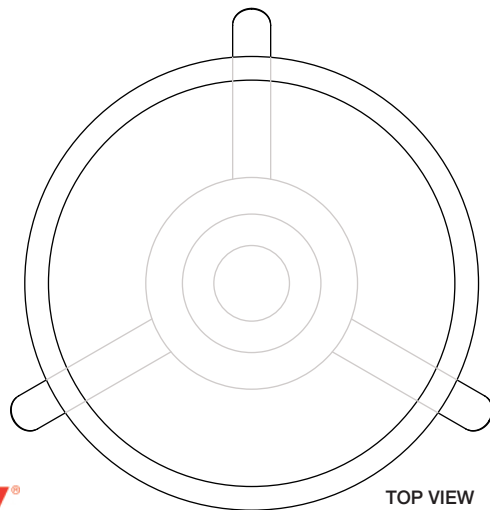
SIDE VIEW

55

108,5



BACK VIEW



TOP VIEW

Ø 60

 design Nation

**PLANK**<sup>®</sup>

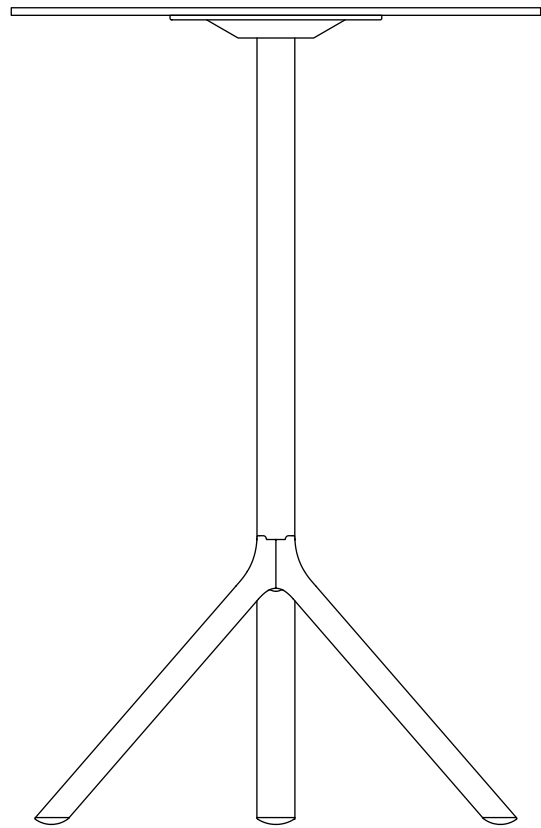
MIURA table

mod. 9553-71

design: Konstantin Grcic

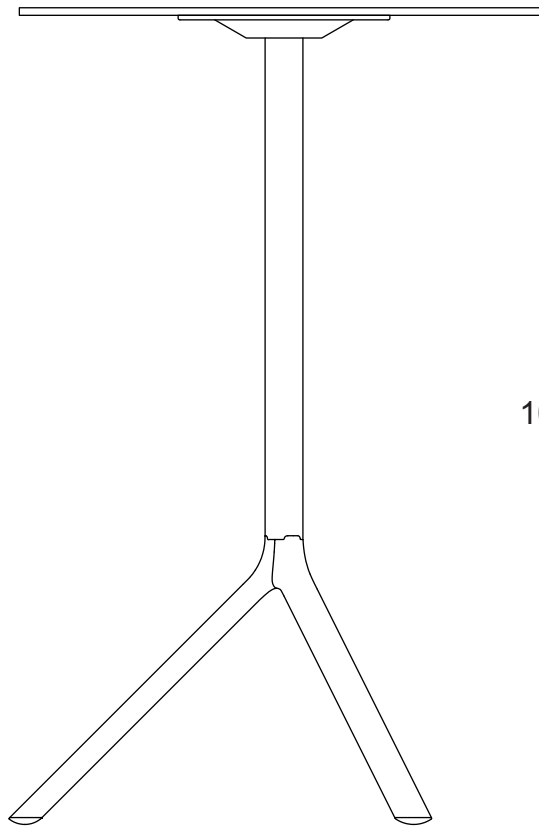
scale 1:10

A4



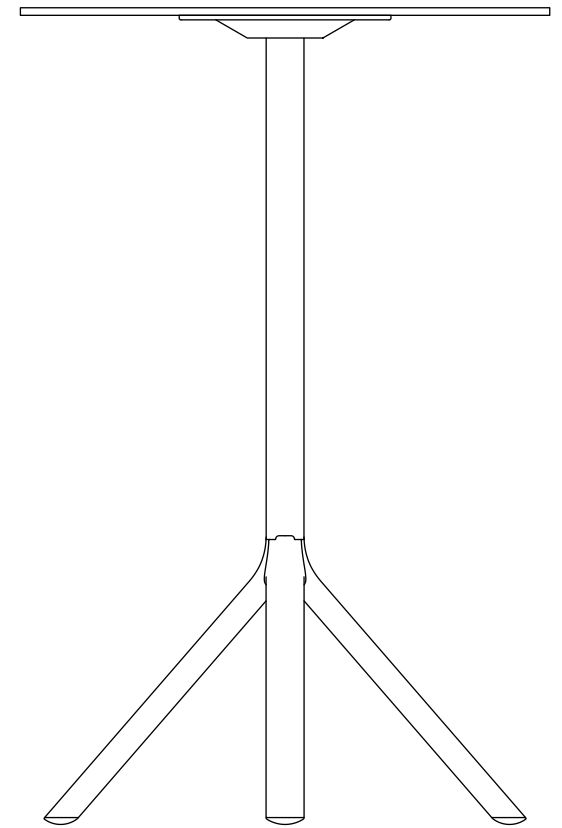
FRONT VIEW

63



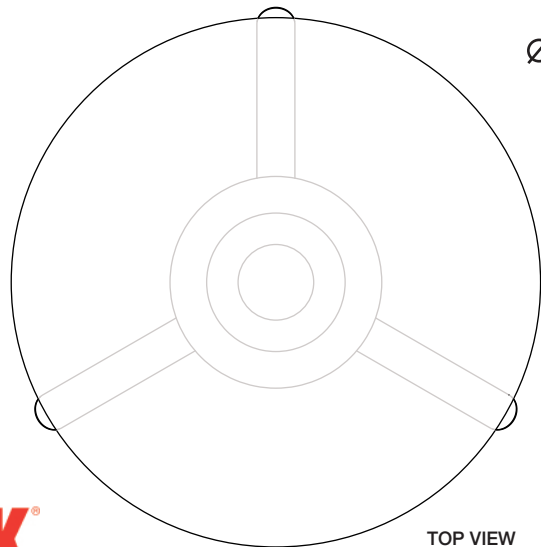
SIDE VIEW

55



BACK VIEW

108-109,5



TOP VIEW

Ø 70

**+** design Nation

**PLANK**<sup>®</sup>

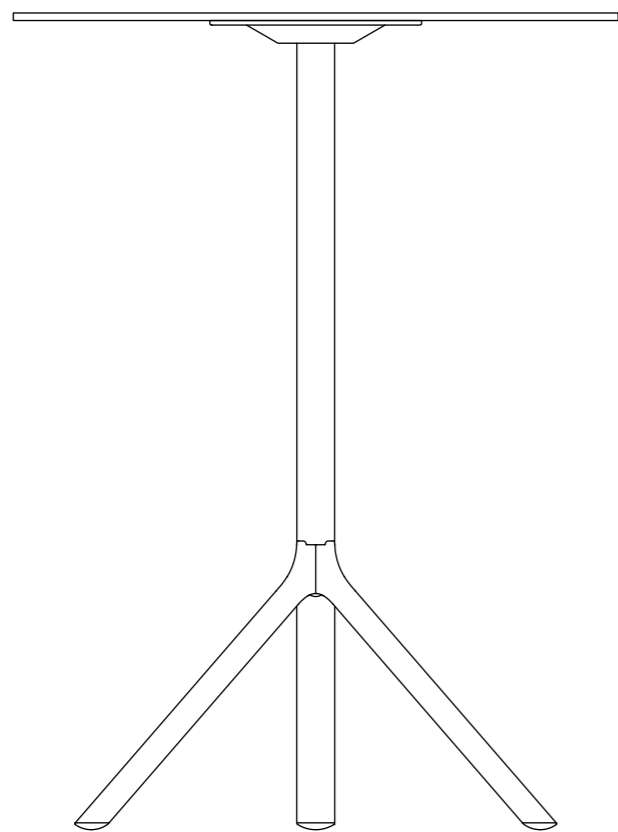
MIURA table

mod. 9590-71

design: Konstantin Grcic

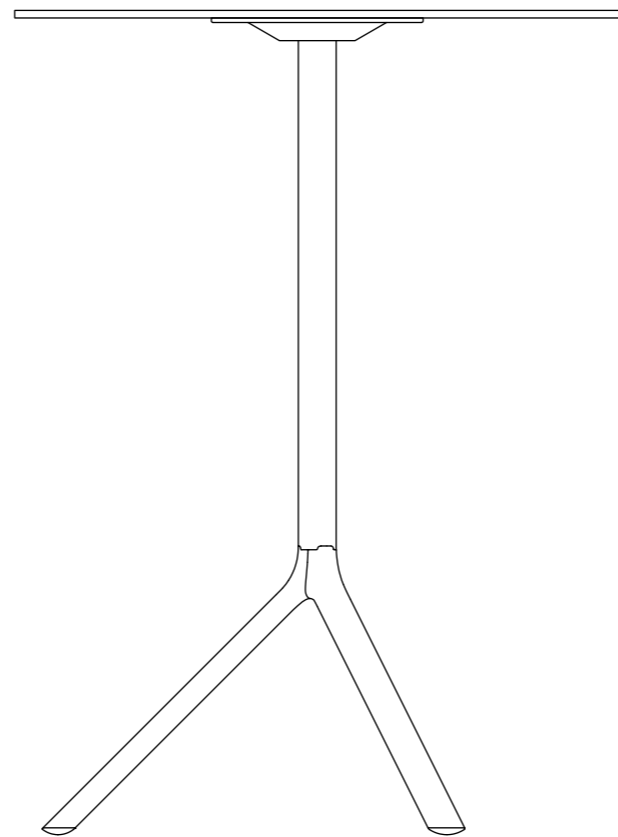
scale 1:10

A4



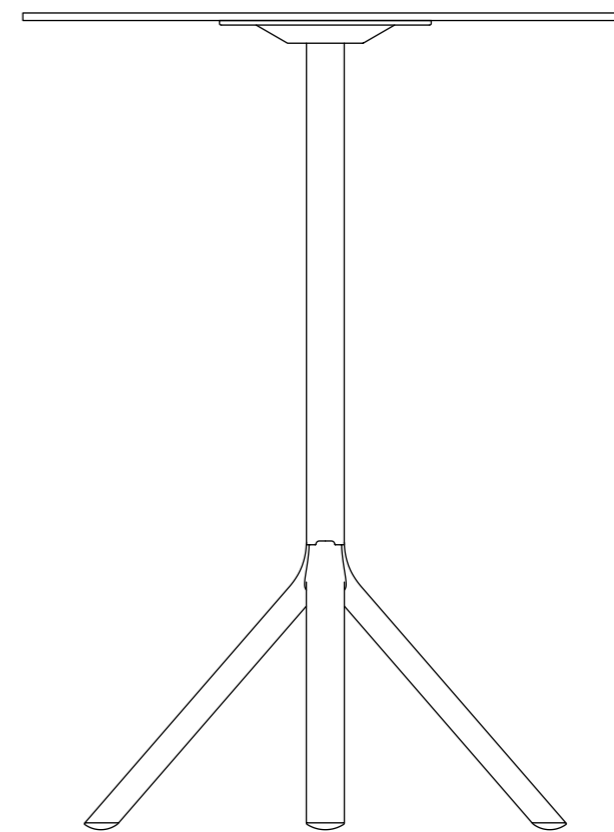
FRONT VIEW

63



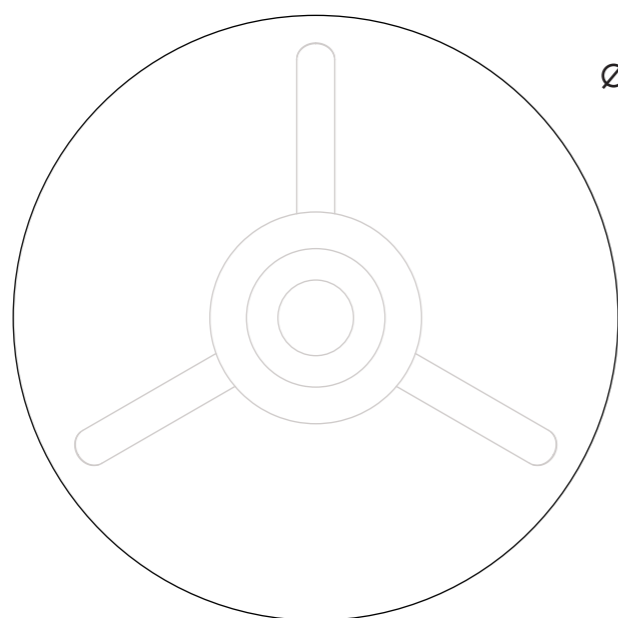
SIDE VIEW

55



BACK VIEW

108-109,5



Ø 80

TOP VIEW