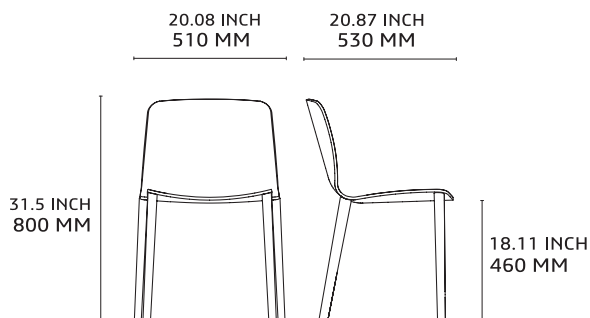




**Jantzi means dress in Basque. The Jantzi chair, which is ample and comfortable, can be given a whole new look as often as you like, as it has a removable cover. This stackable chair is available upholstered and in natural or stained wood.**

**DIMENSIONS:**



**CATEGORY:**

Chair

**ENVIRONMENT:**

Indoor

**APPLICATIONS:**

- CHR
- Public
- Office

**WEIGHT:** 6,2 kg

**MATERIALS:**

Metal structure covered with solid oak.

Shell in oak or with removable fabric cover with zipper stackable by 3 or more with trolley.

Felt glides.

**IN OPTION:** CMHR foam (non fire)

**MADE TO ORDER:** Finishes and upholsteries, page 2

**SPARE PARTS:**

Felt glides recommended for all types of flooring. Possibility to change for slide glides in case carpet floors.

**ACCESSORIES:** No

**ASSEMBLED PRODUCT:** Yes

**COM UPHOLSTERY:**

Upon request and under alki's confirmation.

COM 11 x 1,40 mts / chair

COL 5m<sup>2</sup> / 2 chairs

**CLEANING AND CARE INSTRUCTIONS:**

Dry cloth. To avoid aerosol and spray products with silicone. For upholstery versions please find cleaning instructions for selected fabric at kvadrat.de, gabriel.dk, anticcuir.com and hornschurch.com

**DOWNLOADS:**

3D and DG files are available at alki.fr – images bank section.

**JANTZI COLLECTION:**



# Finishes

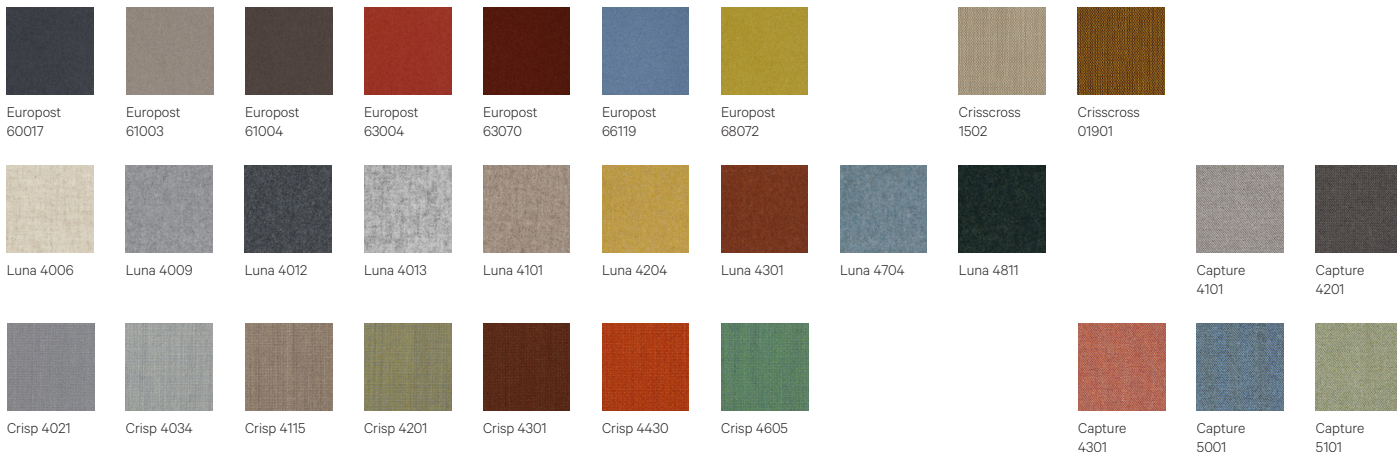
## Wood



Natural Oak    Ash Grey Oak    Tourbe Oak    Carbon Oak    White Stained Oak    Walnut Stained Oak

## Fabrics by Gabriel

G1: Europost, Crisp, Capture | G2: Crisscross | G3: Luna



## Fabrics by Kvadrat

G1: Remix | G2: Molly, Canvas | G3: Steelcut Trio

