

Connect Bar Stool

Design by Dermot Lenaghan

Technical Specifications



Archetypal yet modern, the connect bar stool is characterised by the combination of three turned solid oak legs, contoured round seat and contrasting footrest, in powder coated steel.

Available in counter and bar heights, the connect stools clean lines, simplicity and harmonious proportions belie the great precision with which it combines materiality and detail.

Materials

Solid White Oak

Dimensions (mm)

310mmø x 650mm/750 H

The seat has a 8mm concave, designed for comfort.

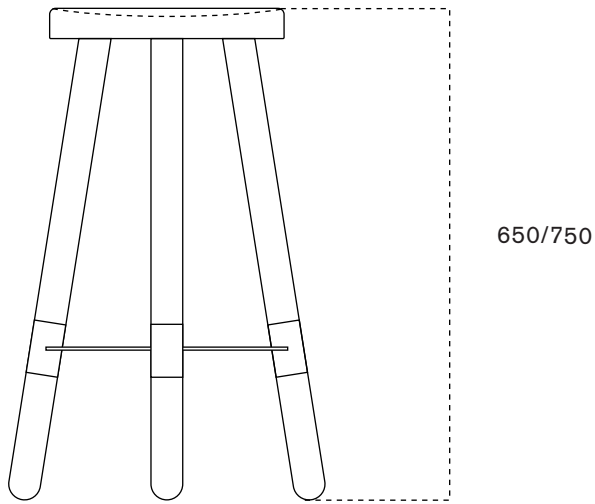
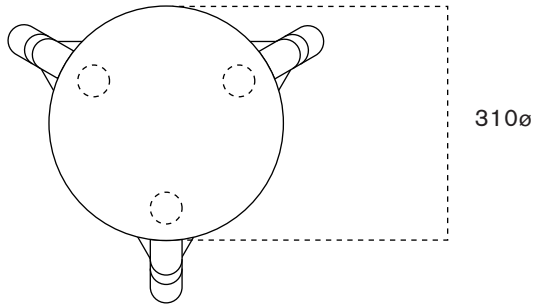
Finishes

Standard kin wood finishes* see details

*Customisation of finishes possible for projects

Connect Bar Stool

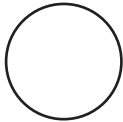
Design by Dermot Lenaghan



Powder Coated Steel



Black
fine texture
powder coat



White
fine texture
powder coat

Solid Oak



Black
lacquered
open pore



Neutral oil
(raw look)



Natural oil



Smoked oil

Leather



Cognac Aniline