



CATERPILLAR Pedestal Table System

Demountable square plate table system fabricated in steel and cast aluminium. Wide selection of powder coat colours and tops. Indoor and outdoor.

Materials

Bases

Steel

Cast aluminium

Powder coated White or Black

* other colours to specification

Tops

American Oak veneer / E0 MDF

Tas Oak veneer / E0 MDF

Laminated board / ABS edging

HPL compact laminate

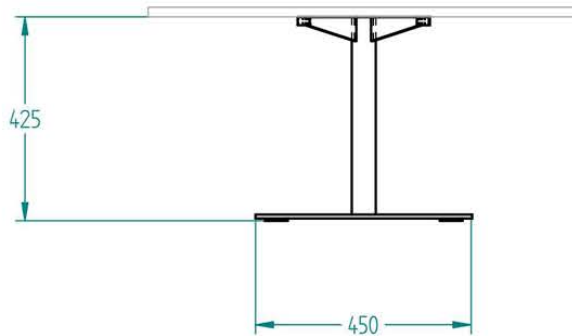
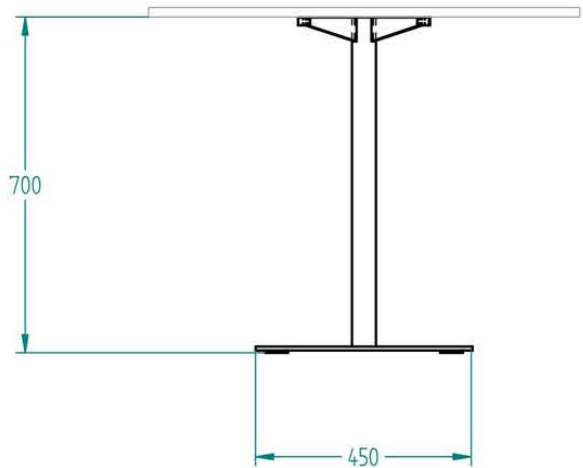
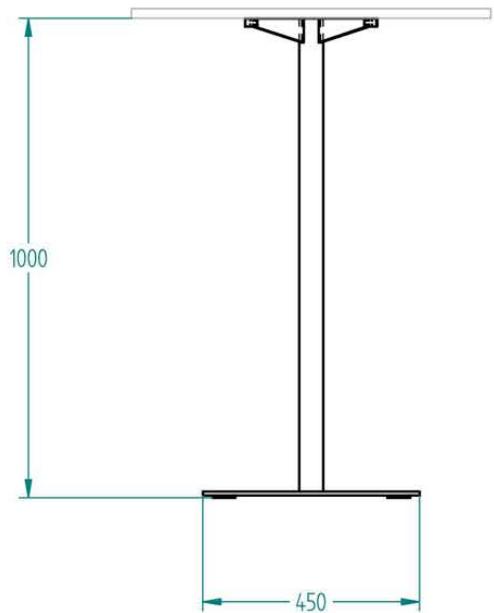
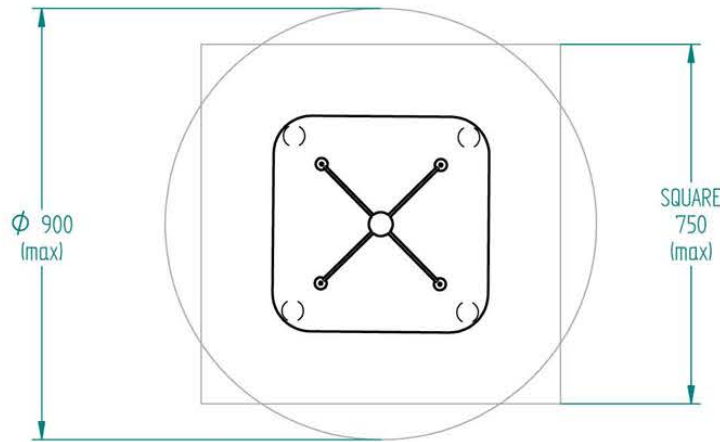
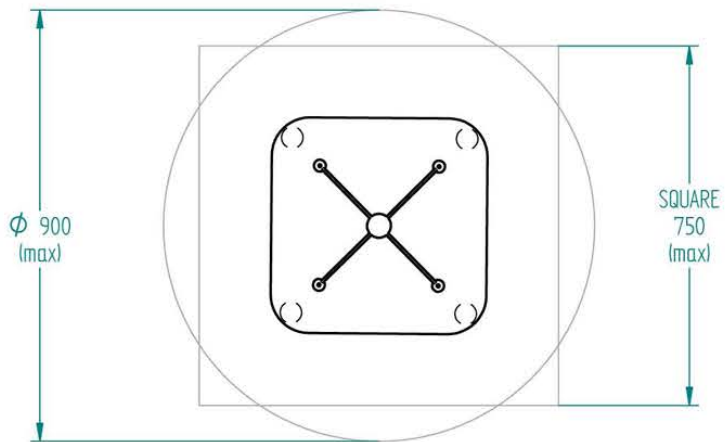
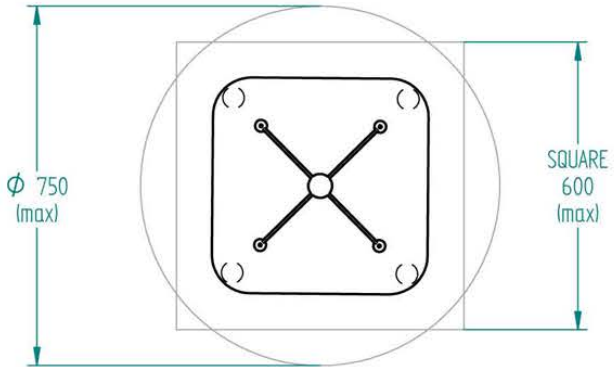
* other materials considered by request

Size

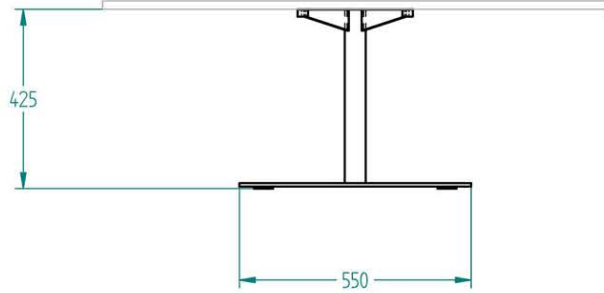
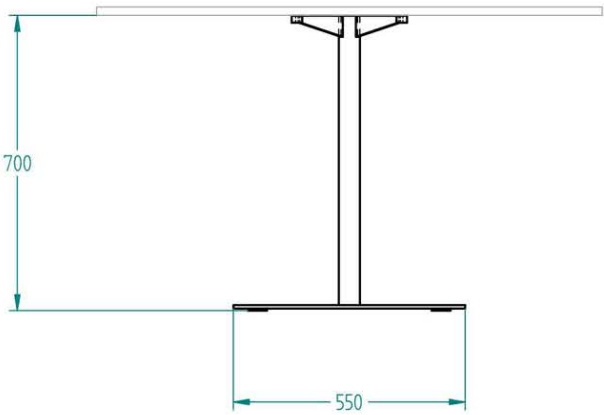
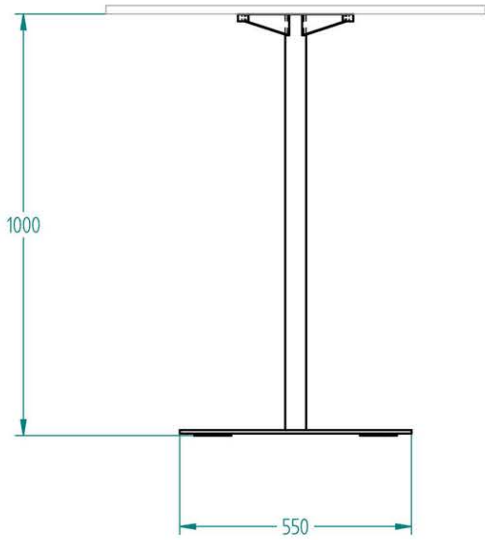
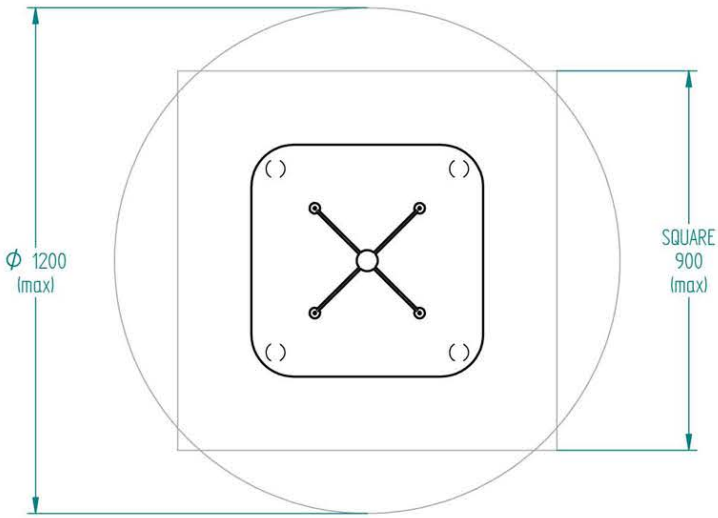
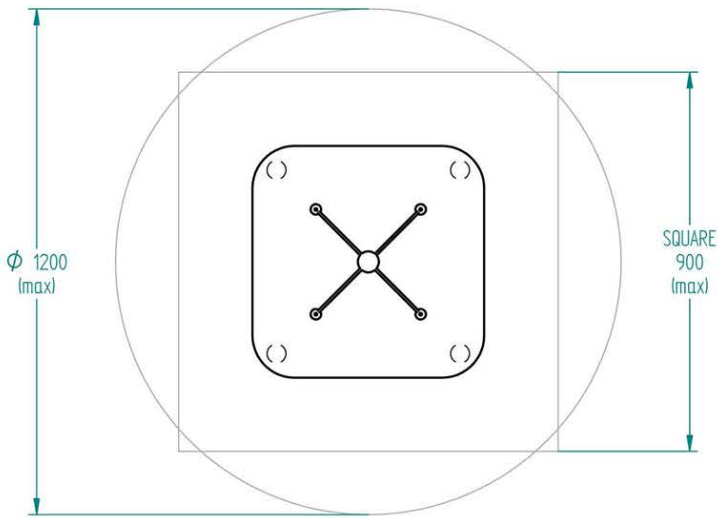
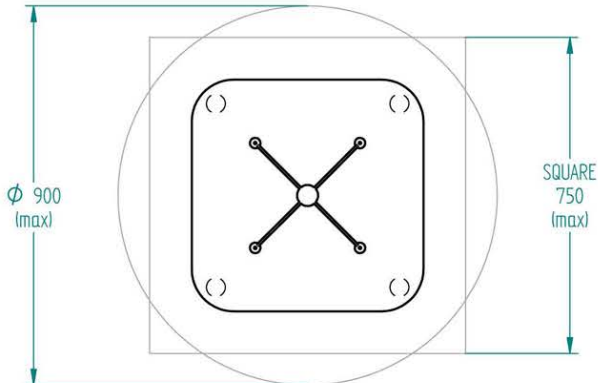
Supporting table tops from 400mm square up to 1800mm diameter



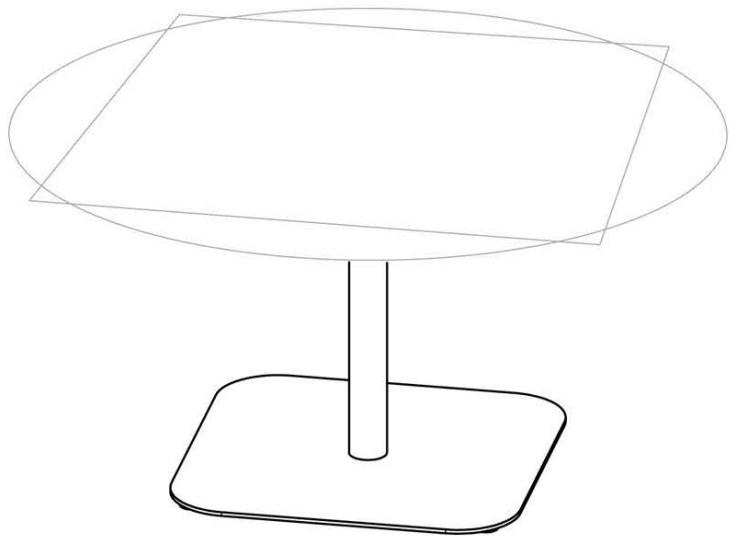
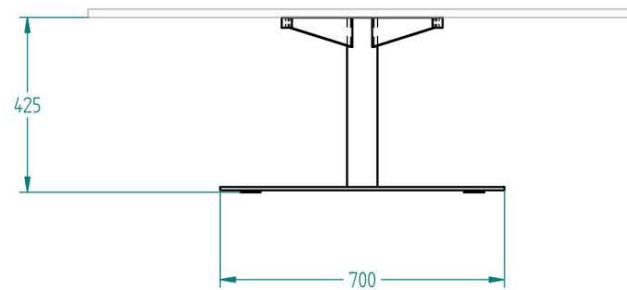
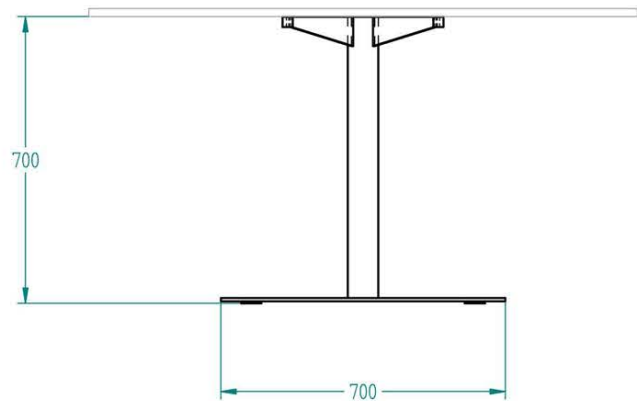
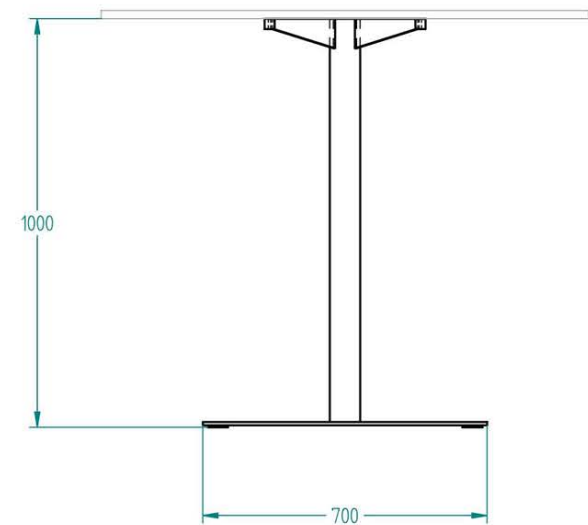
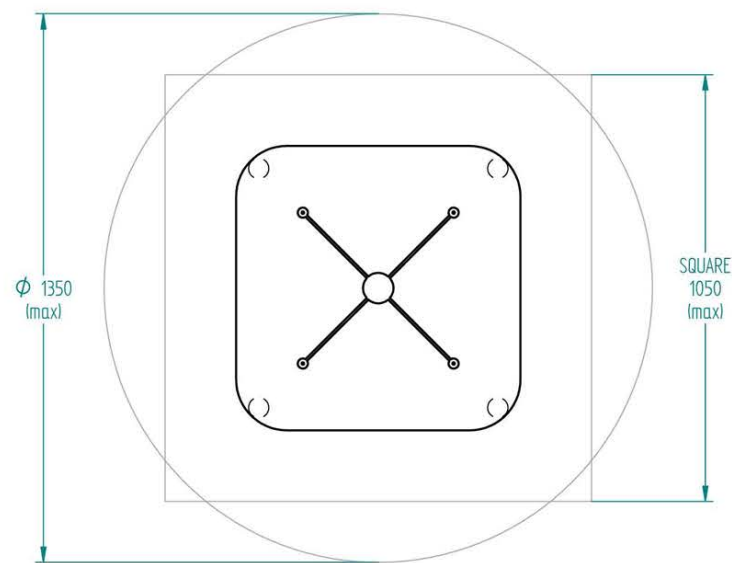
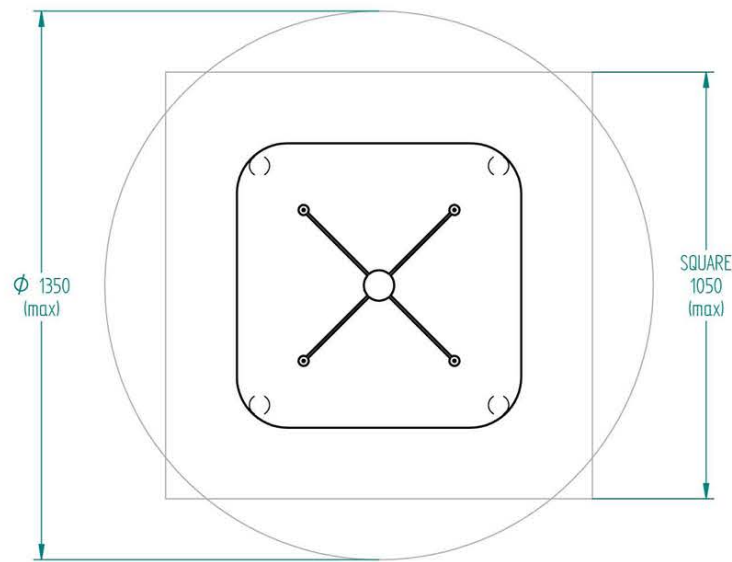
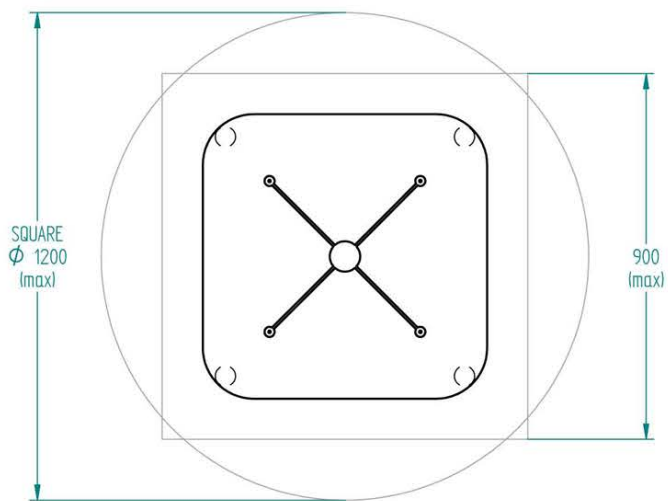
CATERPILLAR PEDESTAL TABLE



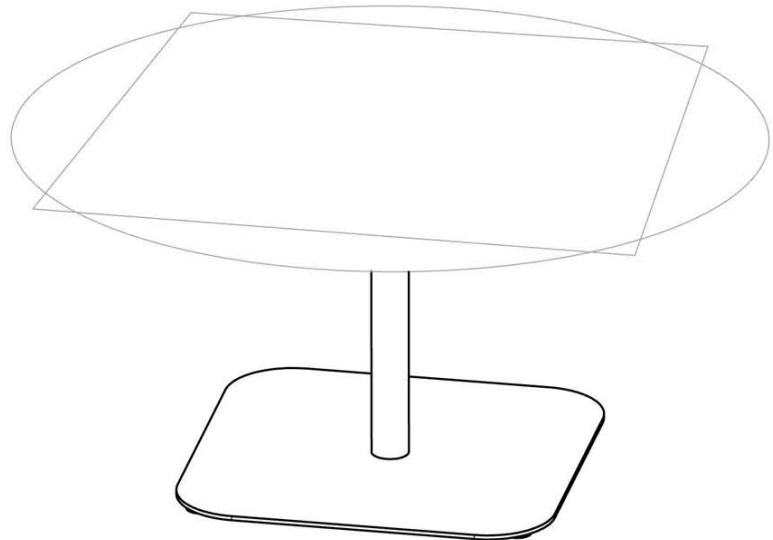
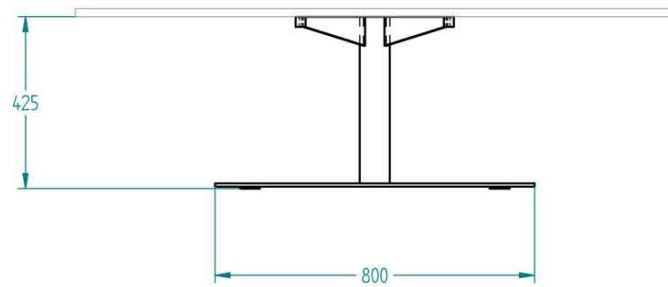
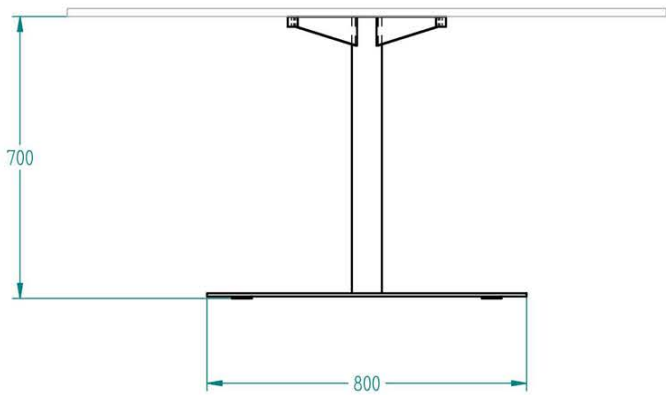
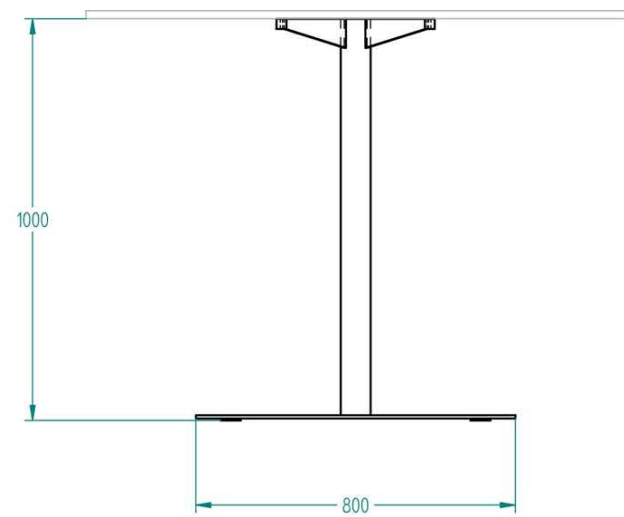
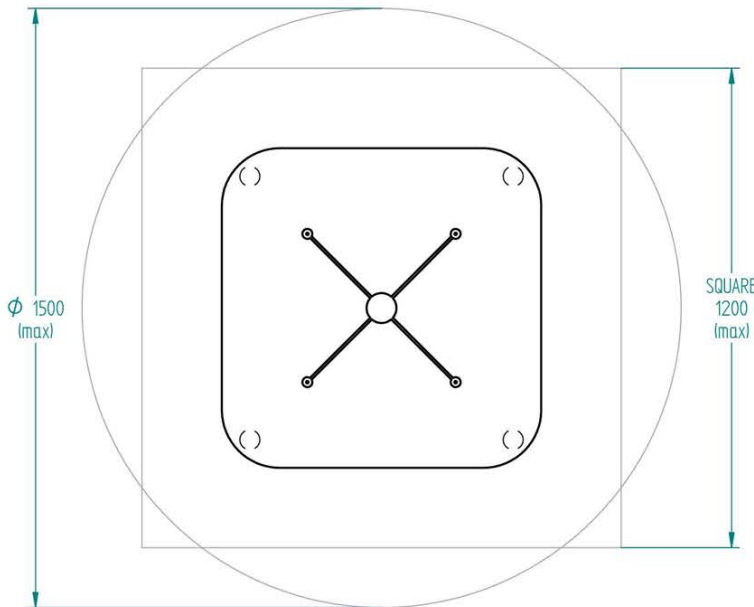
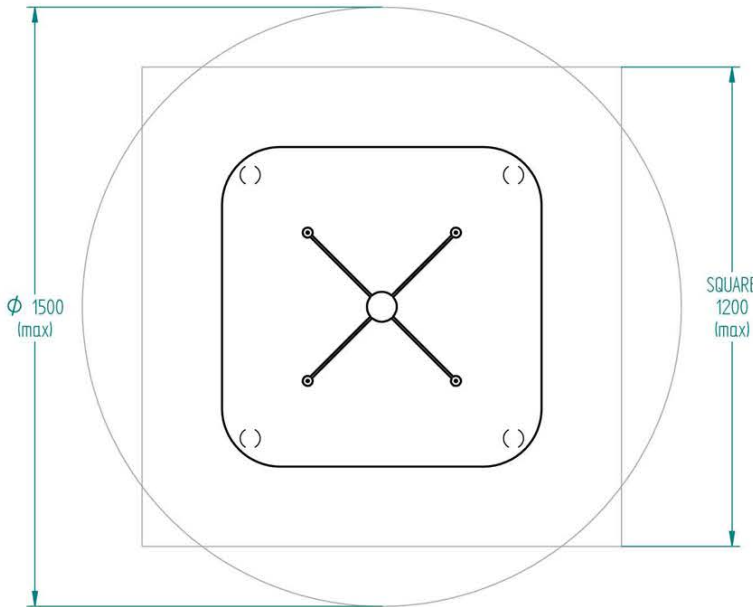
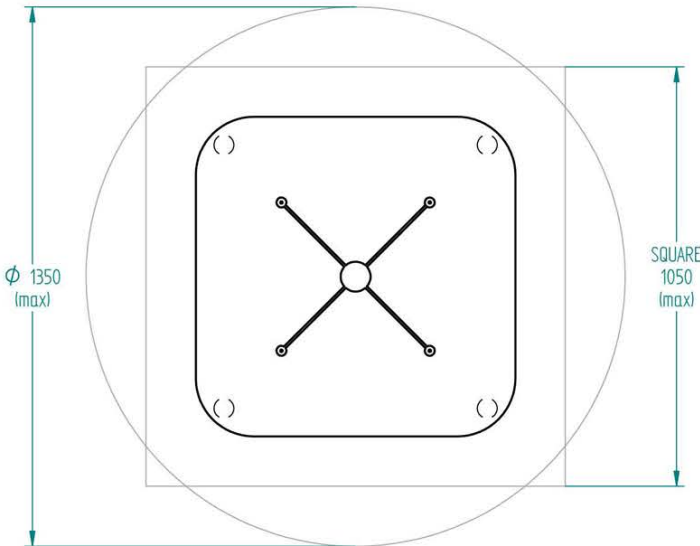
CATERPILLAR PEDESTAL TABLE



CATERPILLAR PEDESTAL TABLE



CATERPILLAR PEDESTAL TABLE



CATERPILLAR PEDESTAL TABLE

