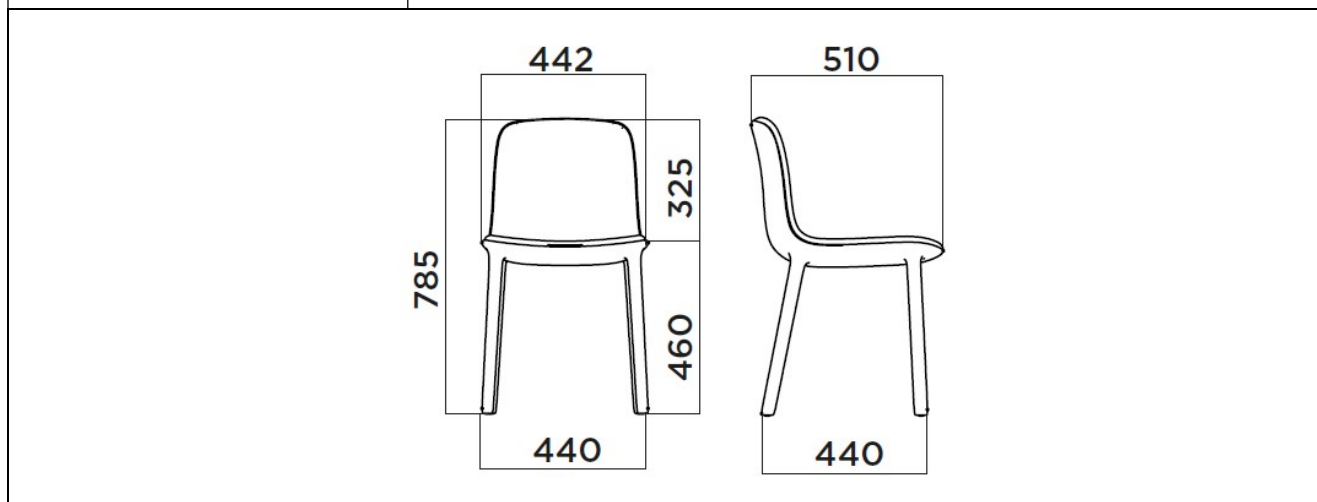


	SCHEDA TECNICHE / TECHNICAL SPECIFICATIONS	ST473	Autore DLA
	FREYA	Rev. 00	Data 23/02/21
			Pag. 1 di 1



Caratteristiche struttura <i>Structure specifications</i>	<ul style="list-style-type: none"> • Polipropilene da post consumo industriale + Fibra vetro. • <i>Post consumer industrial Polypropylene + Glass Fiber.</i>
Caratteristiche sedile <i>Seat specifications</i>	<ul style="list-style-type: none"> • Polipropilene da post consumo industriale. • <i>Post consumer industrial Polypropylene</i>
Caratteristiche spugna sedile <i>Seat foam specification</i>	<ul style="list-style-type: none"> • Spugna densità 50 kg/m3 secondo norma UNI EN ISO 845 ignifuga classe 1IM • Foam density 50 kg/m3 as per normative UNI EN ISO 845, fireretardant 1IM
Piedini <i>Gliders</i>	<ul style="list-style-type: none"> • Polietilene. • <i>Polyethylene.</i>





FREYA

by Claus Breinholt

Freya is the first monobloc chair with integrated upholstered shell. It is available in 6 shades, made with post-consumer industrial plastic.

POST CONSUMER INDUSTRIAL PLASTIC



IS011
Anthracite



IS022
Tobacco



IR9001
Off White



IP480C
Cipria



IS503
Powder Blue



IP421C
Almond grey