

infiniti



+ design Nation

S Y S
U S E R M A N U A L

SYS by mC.dsg

Sys is named after a file used in operating systems. It is a sofa full of configurations which, starting from a modular structural alphabet adaptable to the needs of the designer, it gives the possibility to create seats that fit well in contexts such as waiting rooms, work spaces, museums, restaurants, schools, shops and meeting and sharing areas.

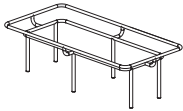
Thanks to an extremely fast and intuitive connection system (by modules), it is possible to disassemble, move and reconfigure your sofa according to the needs of the moment. Sys is made up of a painted steel frame, which creates the housing for the modules to be inserted, giving the sofa a strong and recognizable connotation.

In addition to the seats in fire-retardant foam (ergonomic and resistant) there are accessories such tables and armrests in natural wood or upholstered. They can always be implemented, to satisfy the most diverse design and operational needs.

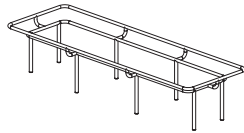
4	OVERVIEW
6	EXAMPLES OF COMPOSITION
10	TABLE MODULES
12	LAYOUT EXAMPLES
15	ACCESSORIES
16	ELECTRIFICATION
18	AVAILABLE FINISHES

OVERVIEW

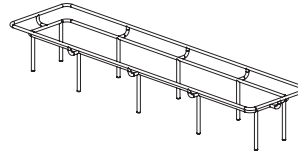
STRUCTURES



Two-seater structure module
COD. CT5095SO2
L1330 P450 H394

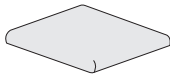


Three-seater structure module
COD. CT5095SO3
L1972 P450 H394

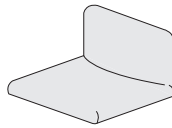


Four-seater structure module
COD. CT5095SO4
L2614 P450 H394

MODULES



Cushion Module
COD. CS10-5095
L648 P607 H184



Cushion Module with backrest
COD. CS02-5095
L648 P607 H481

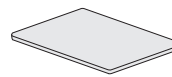
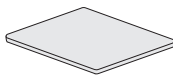
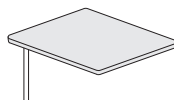


Table module
COD. CS11-5095
L625 P500 H42

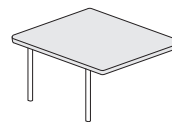
TABLES



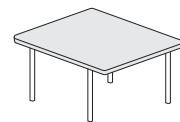
Junction table
COD. 5095-TS1W
L630 P630 H42



Corner table
COD. 5095-TS2W
L630 P630 H414



Side table
COD. 5095-TS3W
L630 P630 H414



Free standing table
COD. 5095-TS4W
L630 P630 H414

ACCESSORIES



Armrest
COD. CA5095SO1
L370 P186 H330



Upholstered Armrest
COD. CA5095SO2
L370 P186 H330



Side table
COD. CA5095SO3
L680 P680 H325

ELECTRIFICATION



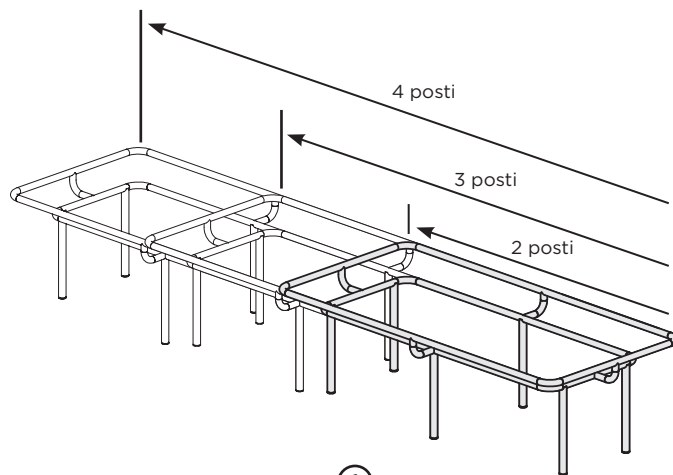
Schuko



Wireless

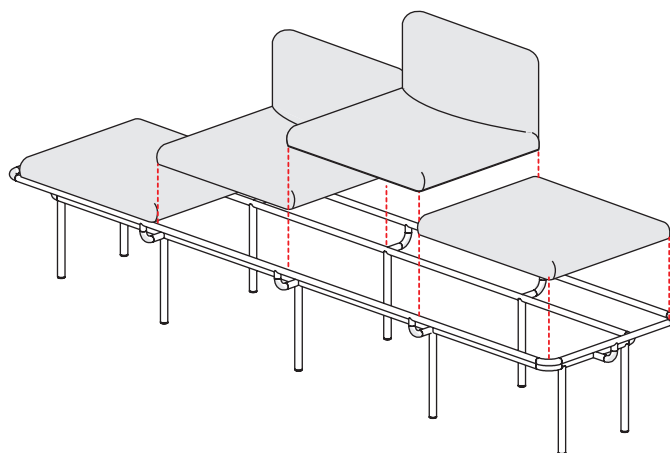


USB



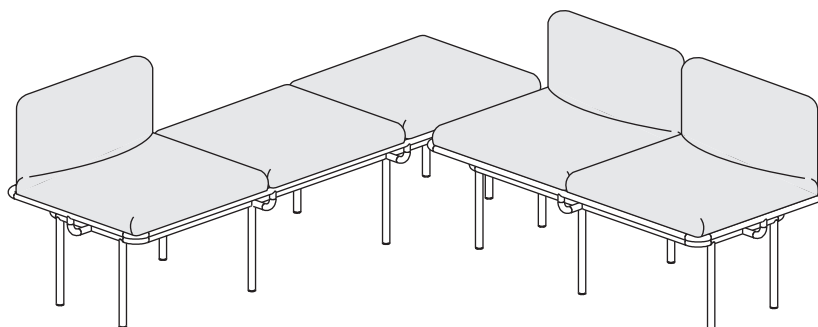
①

Choosing the structure



②

Composing the sofa



③

Linking compositions

EXAMPLE OF COMPOSITIONS



- 1 x **CT5095SO2** two-seater structure
- 1 x **CS10-5095** cushion
- 1 x **SO2-5095** cushion with backrest



- 1 x **CT5095SO2** two-seater structure
- 2 x **CS10-5095** cushion



- 1 x **CT5095SO2** two-seater structure
- 2 x **SO2-5095** cushion with backrest



- 1 x **CT5095SO2** two-seater structure
- 1 x **SO2-5095** cushion with backrest
- 1 x **CS11-5095** table module

EXAMPLE OF COMPOSITIONS



- 1 x **CT5095SO3** three-seater structure
- 3 x **CS10-5095** cushion



- 1 x **CT5095SO3** three-seater structure
- 1 x **CS10-5095** cushion
- 2 x **CS02-5095** cushion with backrest



- 1 x **CT5095SO3** three-seater structure
- 1 x **CS10-5095** cushion
- 1 x **CS02-5095** cushion with backrest
- 1 x **CS11-5095** modulo tavolino



- 1 x **CT5095SO3** three-seater structure
- 3 x **CS02-5095** cushion with backrest
- 2 x **CA5095SO1** armrest

EXAMPLE OF COMPOSITIONS



- 1 x **CT5095SO4** four-seater structure
- 1 x **CS10-5095** cushion
- 2 x **CS02-5095** cushion with backrest
- 1 x **CS11-5095** table module
- 1 x **CA5095SO2** upholstered armrest



- 1 x **CT5095SO4** four-seater structure
- 3 x **CS02-5095** cushion with backrest
- 1 x **CS11-5095** table module
- 2 x **CA5095SO2** upholstered armrest



- 1 x **CT5095SO4** four-seater structure
- 4 x **CS02-5095** cushion with backrest
- 2 x **CA5095SO2** upholstered armrest



- 1 x **CT5095SO4** four-seater structure
- 1 x **CS10-5095** cushion
- 2 x **CS02-5095** cushion with backrest
- 1 x **CS11-5095** table module

FRAMES ATTACHMENT

Place side by side the two frames and hook the plastic clips to the inferior metal tubes joining them as in the picture.

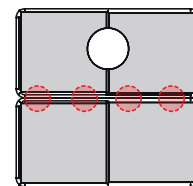
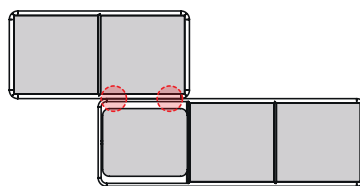
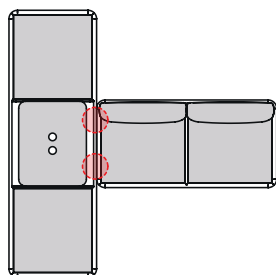
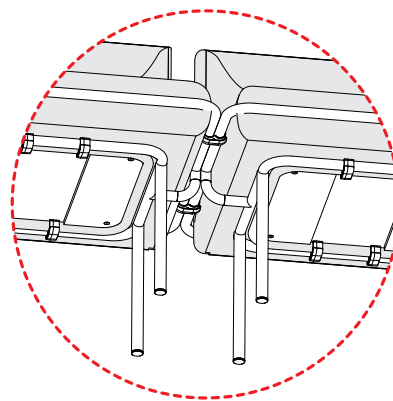
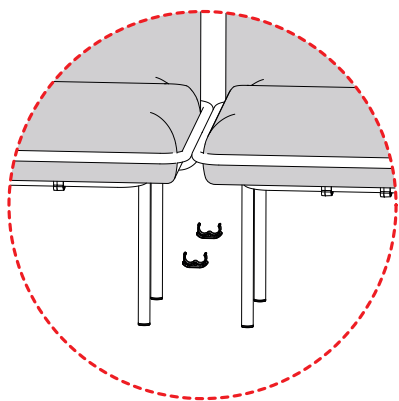
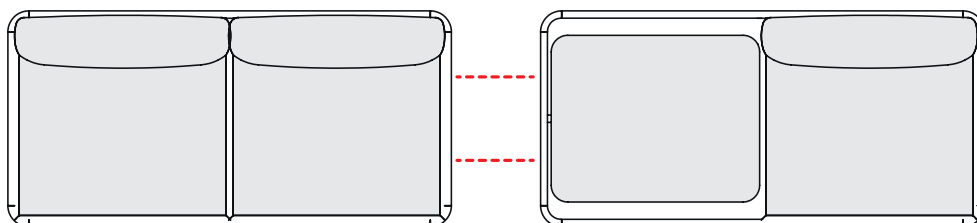
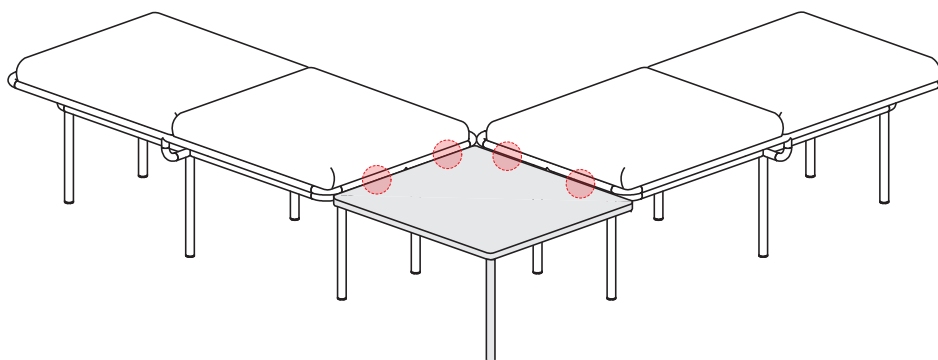


TABLE MODULES

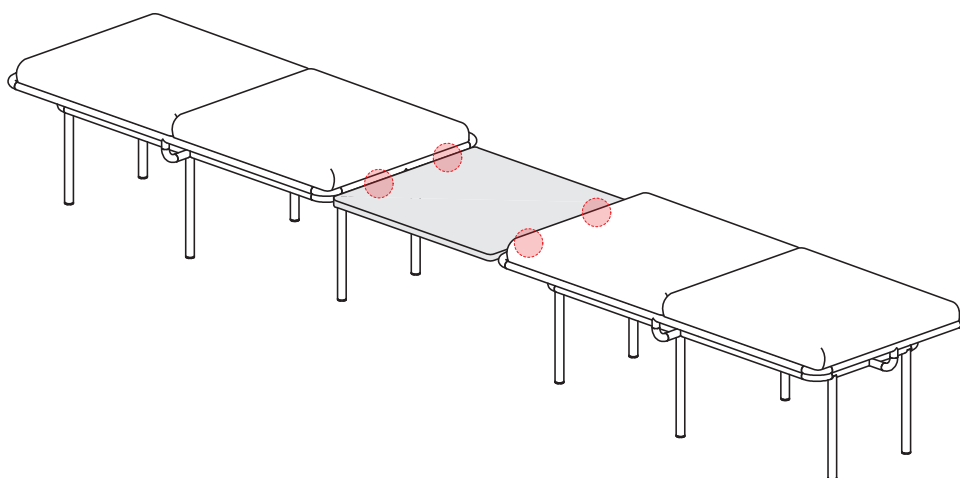
1

Corner table



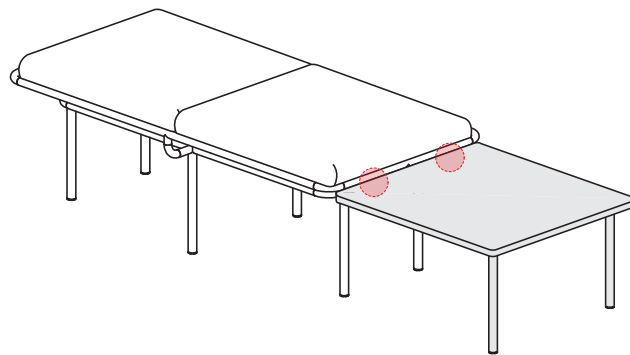
2

Junction table



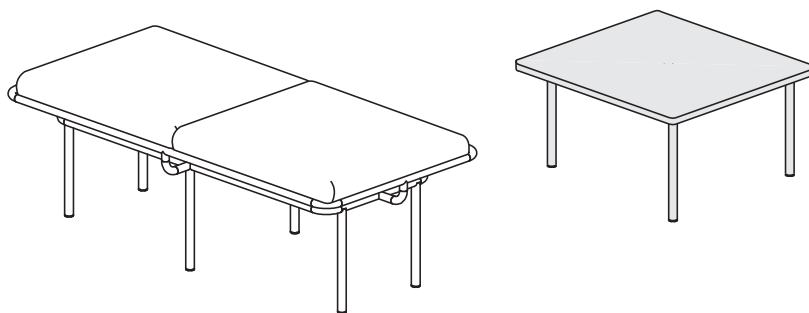
3

Side table

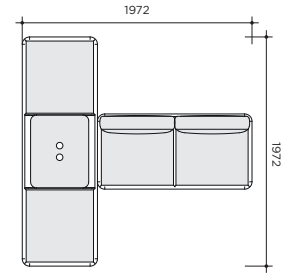
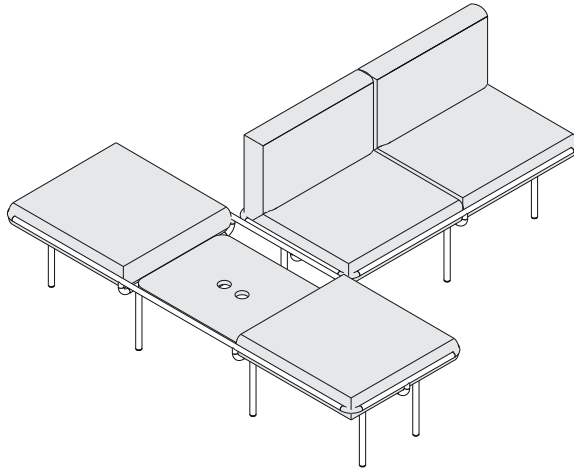


4

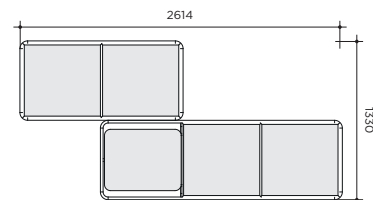
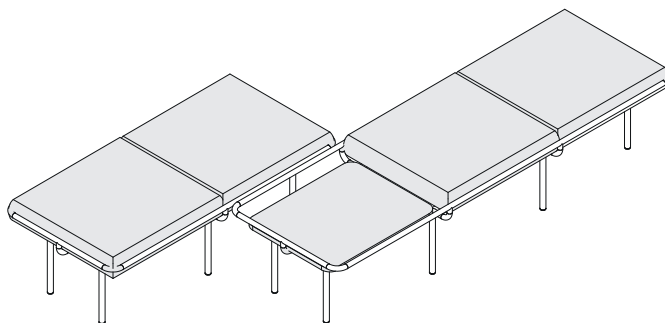
Free standing table



LAYOUT EXAMPLES

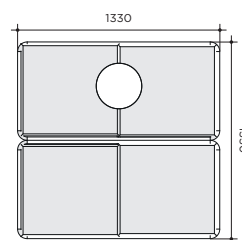
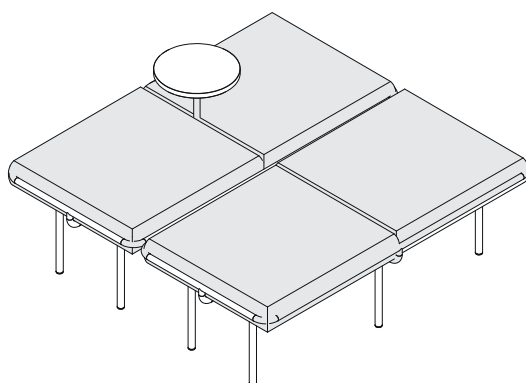


- 1 X COD. CT5095SO2**
Two-seater structure module
- 1 X COD. CT5095SO3**
Three-seater structure module
- 2 X COD. CS02-5095**
Cushion module with backrest
- 2 X COD. CS10-5095**
Cushion module
- 1 X COD. CS11-5095**
Table Module
- 1 X SCHUKO**
- 1 X USB**

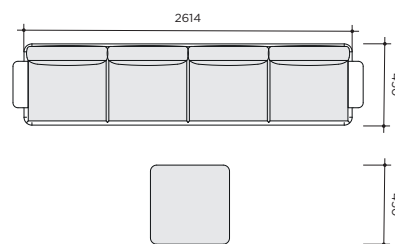
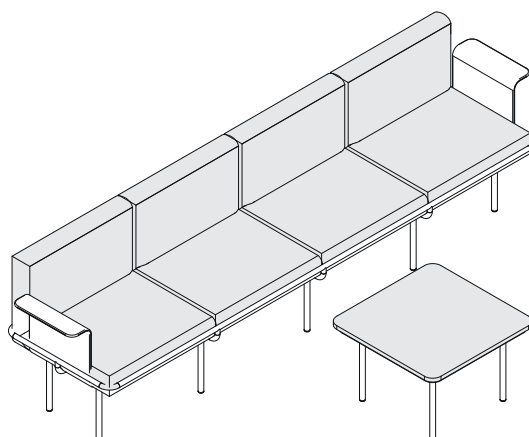


- 1 X COD. CT5095SO2**
Two-seater structure module
- 1 X COD. CT5095SO3**
Three-seater structure module
- 4 X COD. CS10-5095**
Cushion module
- 1 X COD. CS11-5095**
Table Module

LAYOUT EXAMPLES

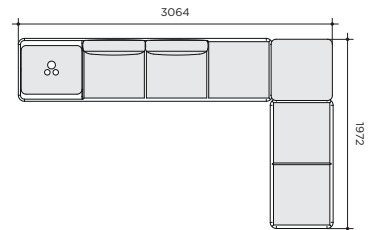
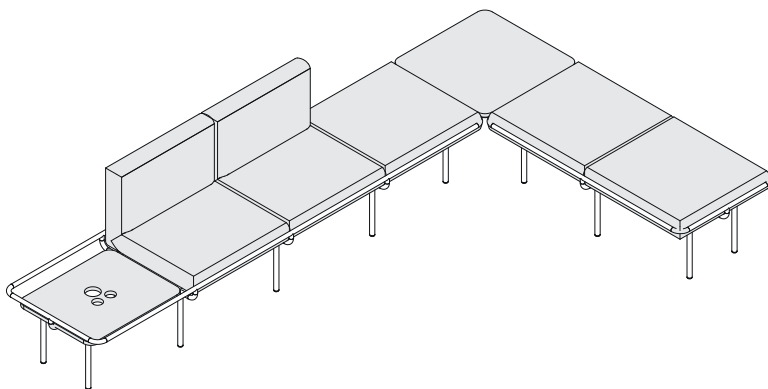


- 2 X COD. CT5095SO2**
Two-seater structure module
- 4 X COD. CS10-5095**
Cushion module
- 1 X COD. CA5095SO3**
High coffee table

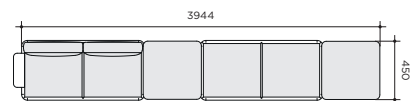
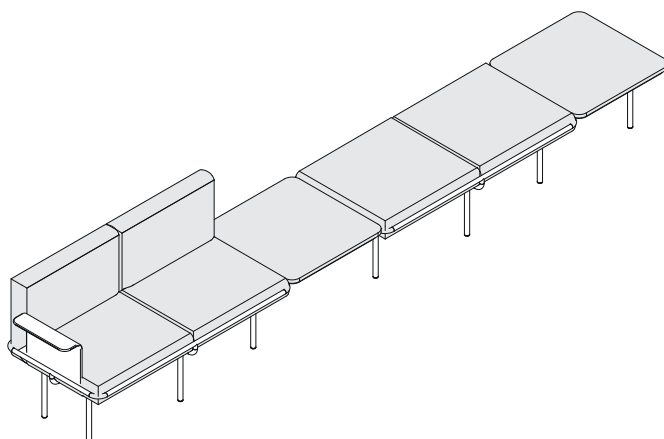


- 1 X COD. CT5095SO4**
Four-seater structure module
- 4 X COD. CS02-5095**
Cushion module with backrest
- 2 X COD. CA5095SO1**
Armrest
- 1 X COD. 5095-TS4W**
Free standing table

LAYOUT EXAMPLES

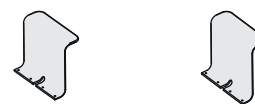
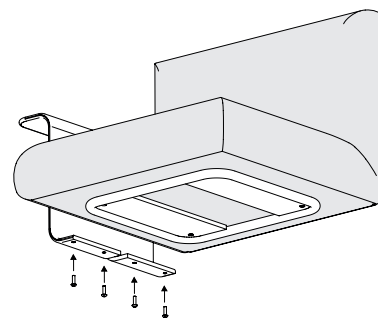


- 1 X COD. CT5095SO4**
Four-seater structure module
- 2 X COD. CT5095SO2**
Two-seater structure module
- 3 X COD. CS10-5095**
Cushion module
- 2 X COD. CS02-5095**
Cushion module with backrest
- 1 X COD. CS11-5095**
Table Module
- 1 X COD. 5095-TS2W**
Corner table
- 1 X SCHUKO**
- 1 X USB**
- 1 X WIRELESS**



- 2 X COD. CT5095SO2**
Two-seater structure module
- 2 X COD. CS10-5095**
Cushion module
- 2 X COD. CS02-5095**
Cushion module with backrest
- 1 X COD. CA5095SO2**
Upholstered armrest
- 1 X COD. 5095-TS1W**
Junction table
- 1 X COD. 5095-TS3W**
Side Table

ACCESSORIES

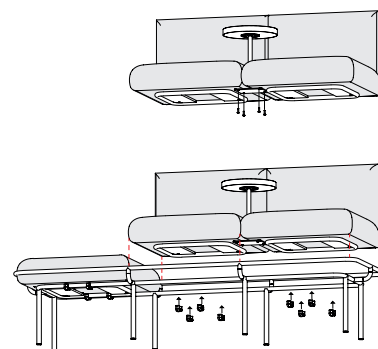


Armrest

Upholstered Armrest

COD. CA5095SO1

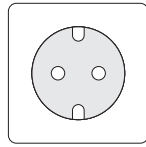
COD. CA5095SO2



Side table

COD. CA5095SO3

ELECTRIFICATION



KIT SCHUKO

No.1 MODULE WITH 1 schuko SOCKET

0.2 m of cable with GST18 connector

16A 250V



KIT WIRELESS

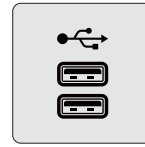
Qi standard: WPC1.2

INPUT DC 5V/9V

OUTPUT DC 5V/9V

Charging distance: 0-8 mm

1.5 mt cable with USB 2.0 A/ Micro 2.0 B included



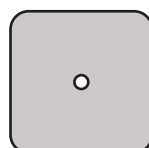
KIT USB

NR.2 USB CHARGER

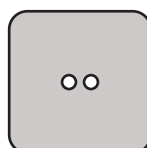
0.2 m cable with GST18 connector

INPUT 100-250 VAC, 50/60 HZ

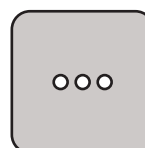
OUTPUT 5VDC/2,4 A



POSITION A



POSITION B





POSITION C



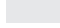

AVAILABLE FINISHES

ARMREST

-  FRVAN natural oak
-  9004F black fine textured

FRAME

steel

-  20 white embossed
-  9004F black fine textured

COVERED


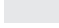

- A: Flash
- C: Patina
- E: Field, Oceanic  , Yoredale
- F: Glow
- G: Fiord
- I: COM Fabric

TABLE TOP

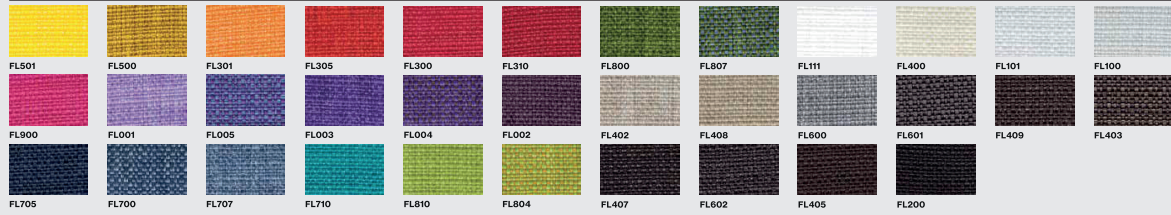
laminato

- LM01 white 
- LM02 black 



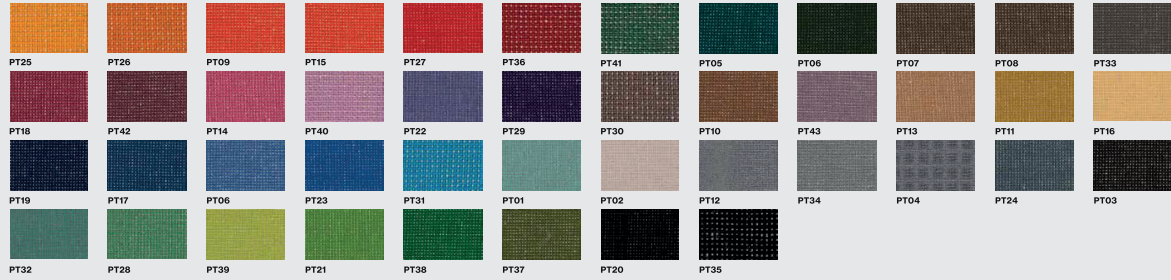
A Flash No-Shrink

AURIM
TEXTILE ATTITUDE



C Patina

camira



E Field

kvadrat



E Oceanic

camira



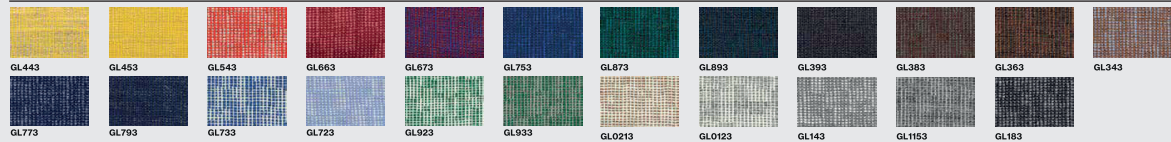
E Yoredale

camira



F Glow

kvadrat



G Fiord

kvadrat



 design Nation

infiniti